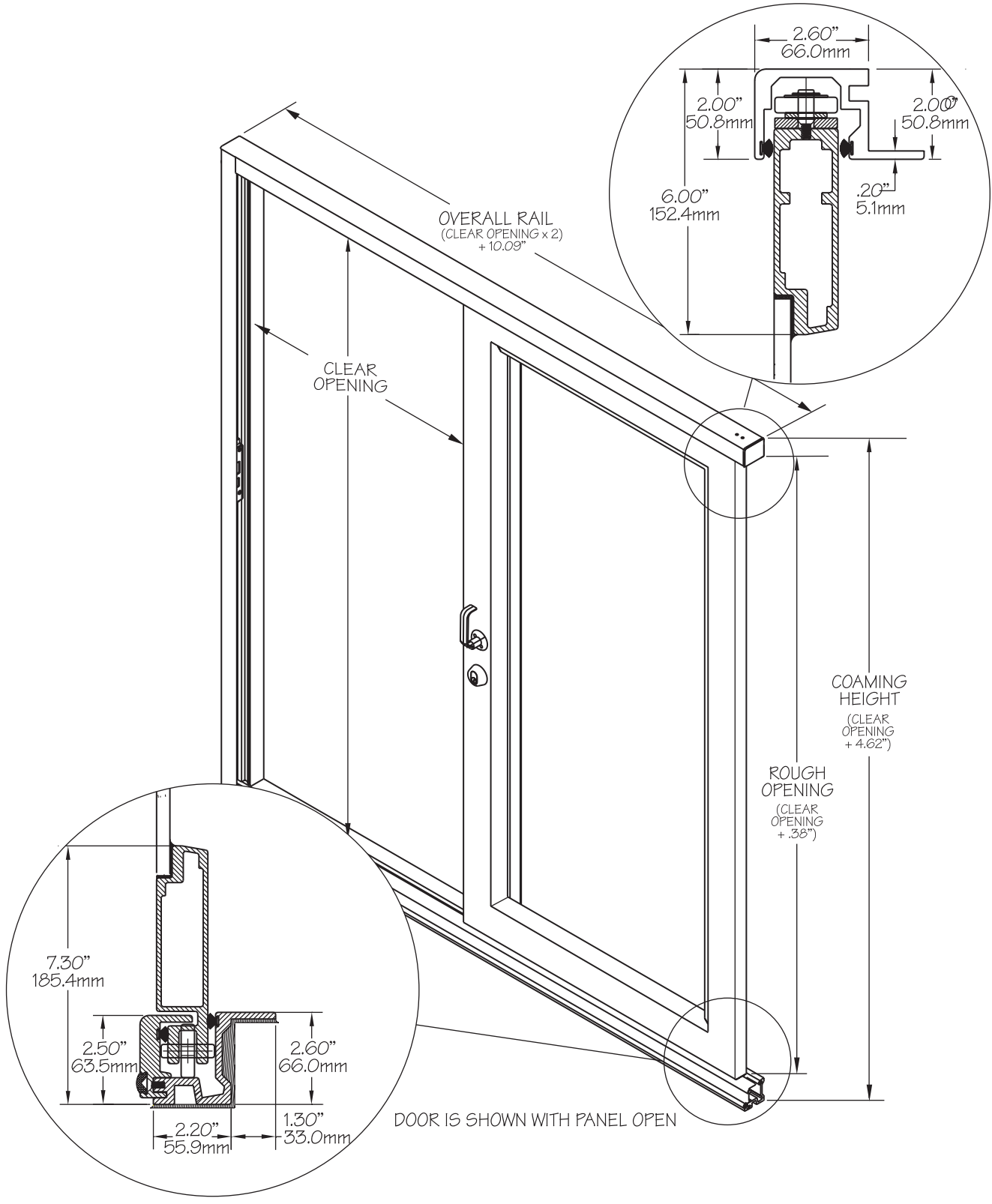


Scale None

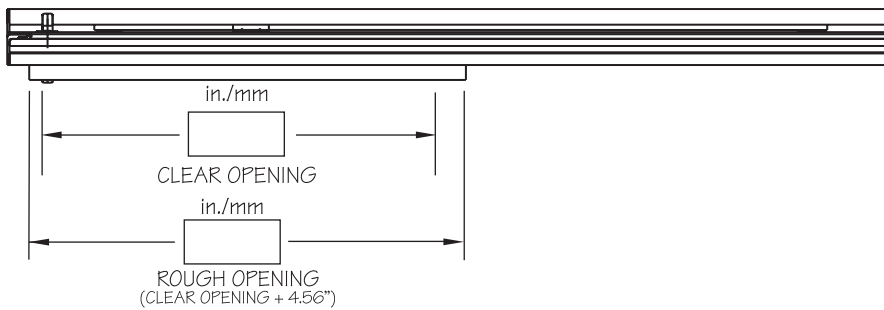
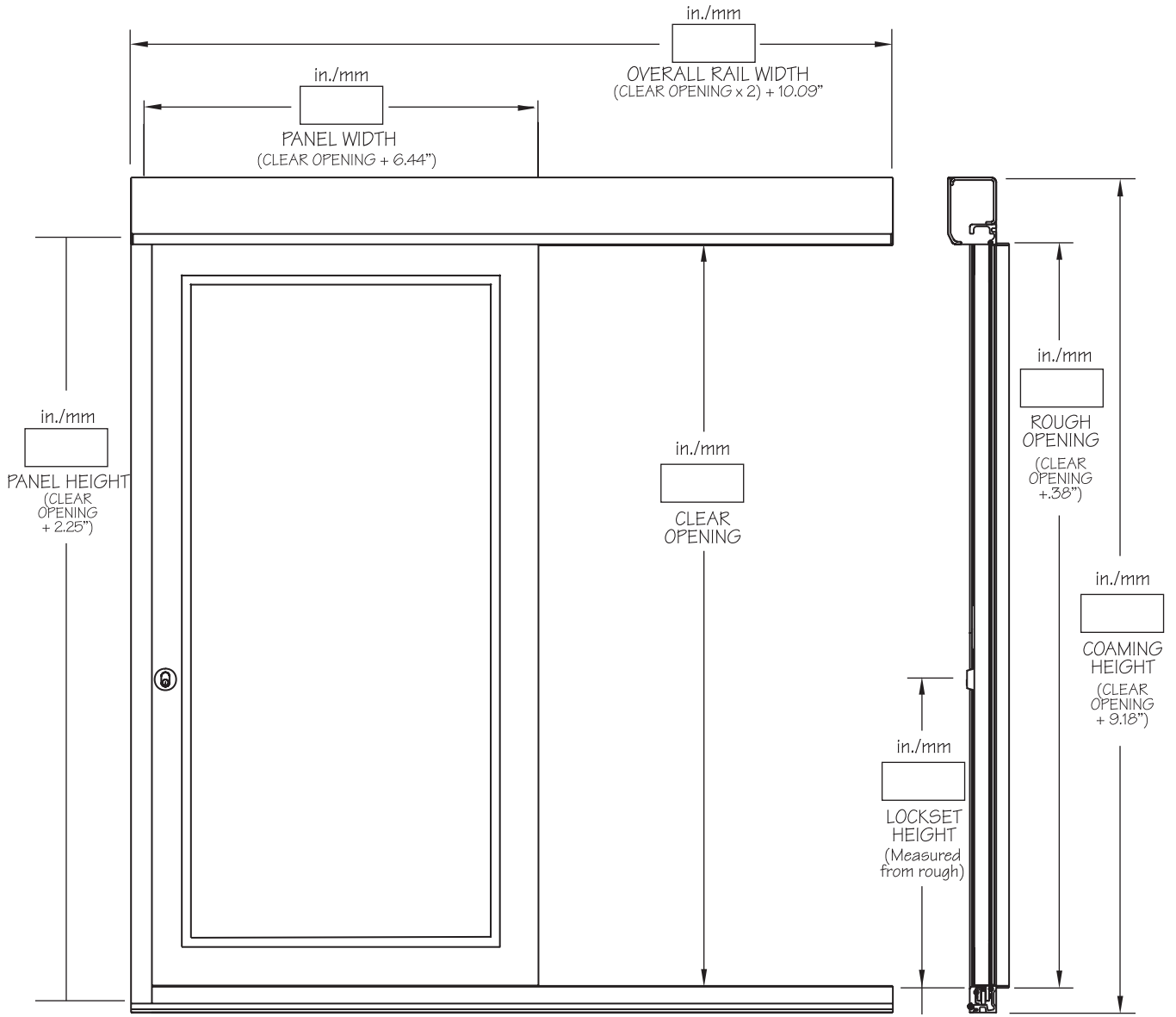
© ALL RIGHTS RESERVED  
 2003 FREEMAN MARINE EQUIPMENT, INC.  
 SPECIFICATIONS SUBJECT TO CHANGE WITHOUT NOTICE

LAYOUT  
 MODEL 1710



<b>Scale</b>	None
--------------	------

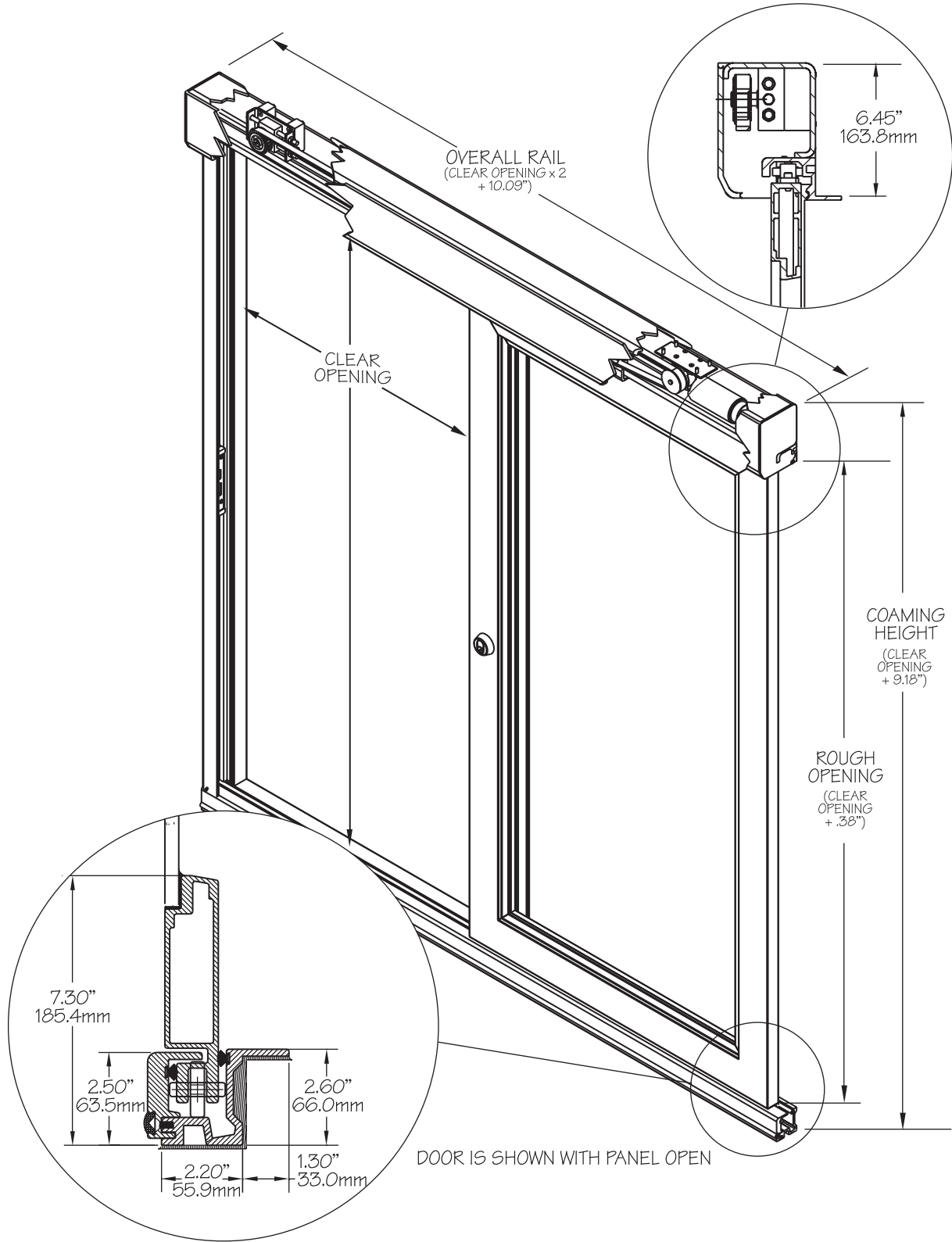
© ALL RIGHTS RESERVED  
2003 FREEMAN MARINE EQUIPMENT, INC.  
SPECIFICATIONS SUBJECT TO CHANGE WITHOUT NOTICE



**LAYOUT  
MODEL 1710**

**Scale** None

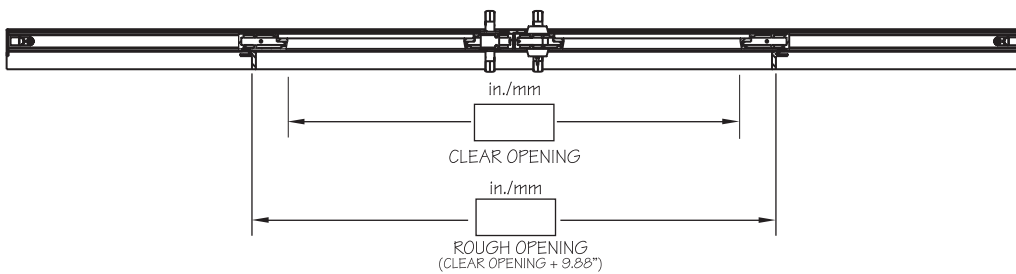
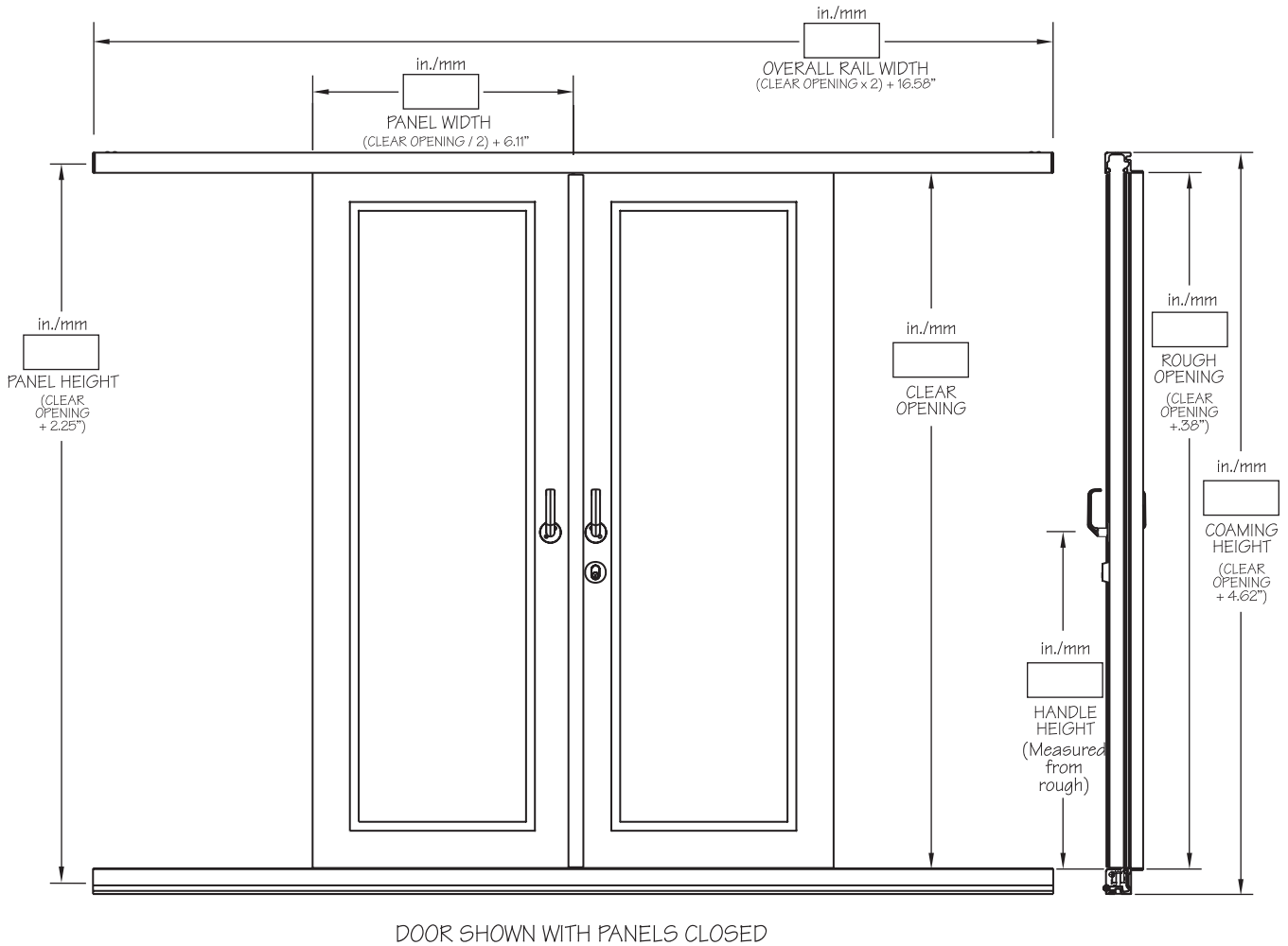
© ALL RIGHTS RESERVED  
2003 FREEMAN MARINE EQUIPMENT, INC.  
SPECIFICATIONS SUBJECT TO CHANGE WITHOUT NOTICE



LAYOUT  
MODEL 1710

Scale None

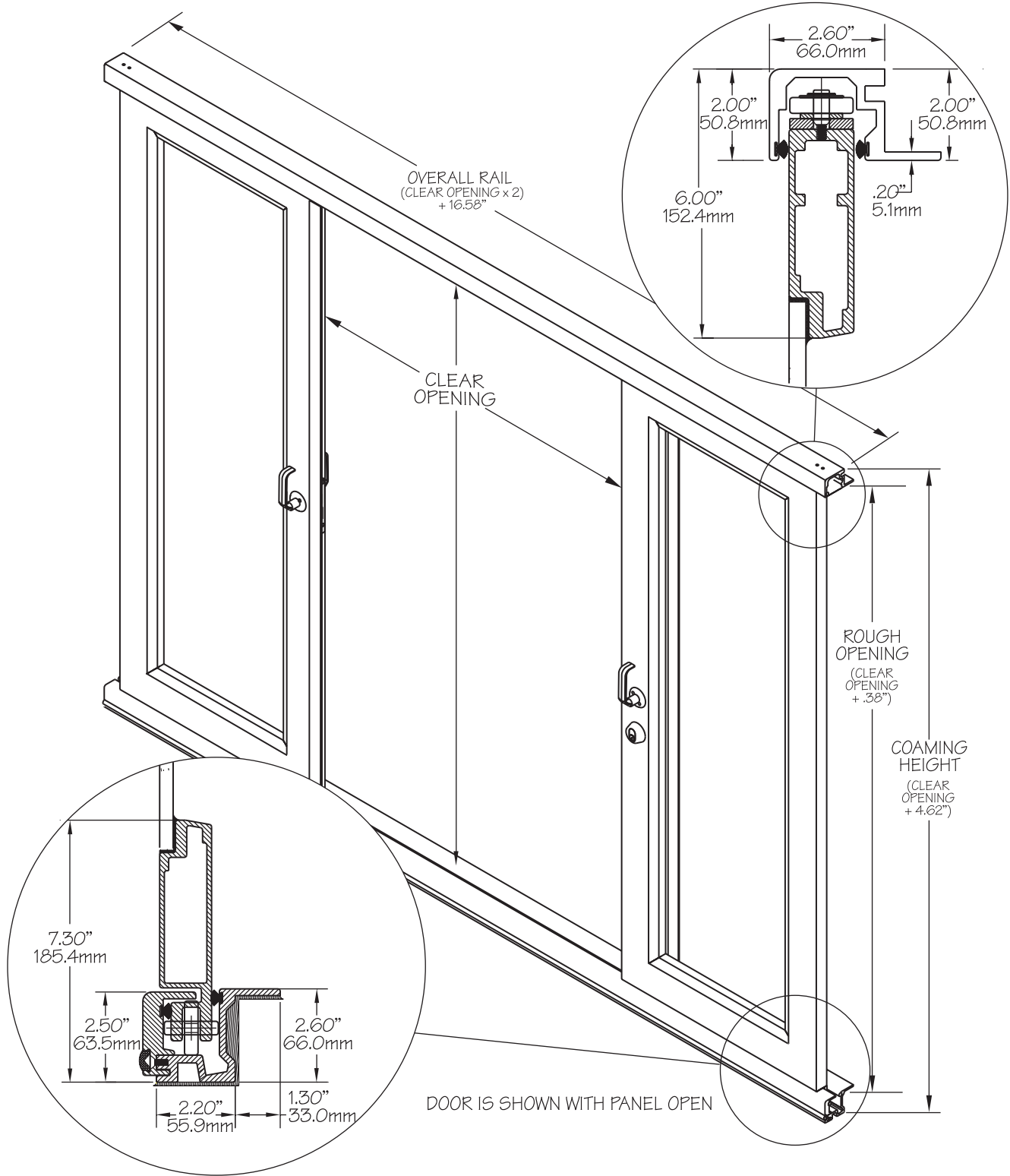
© ALL RIGHTS RESERVED  
2003 FREEMAN MARINE EQUIPMENT, INC.  
SPECIFICATIONS SUBJECT TO CHANGE WITHOUT NOTICE



**LAYOUT  
MODEL 1716**

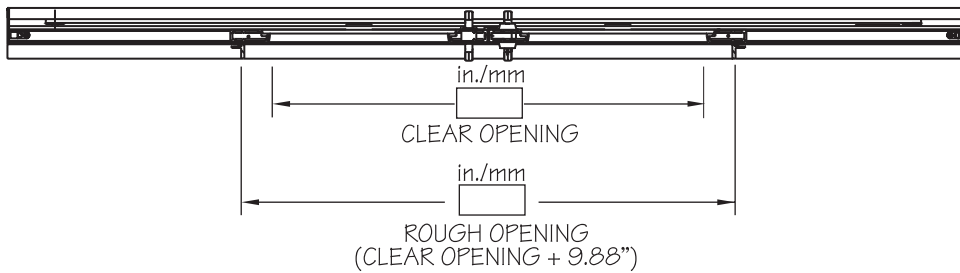
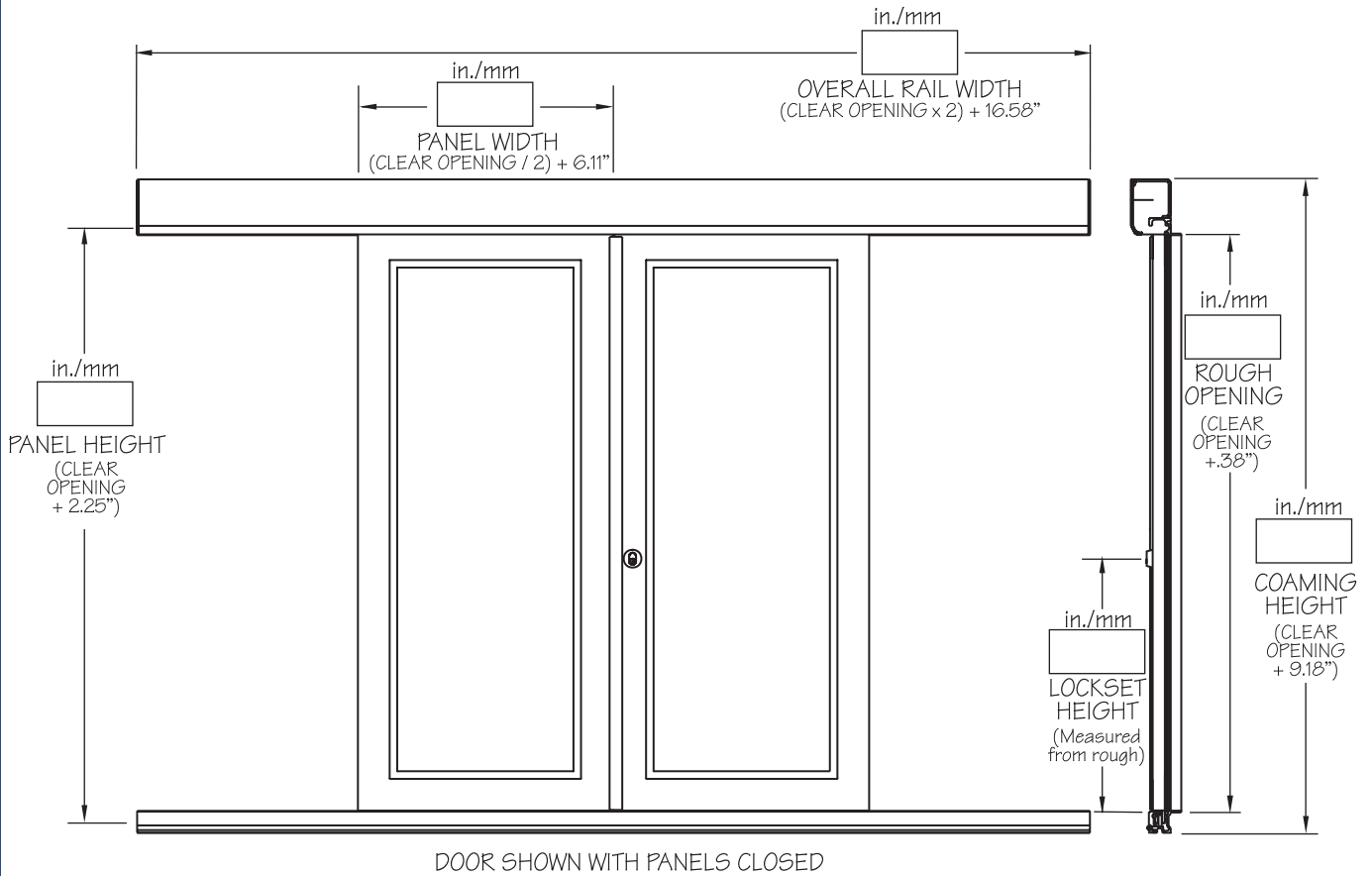
**Scale** None

© ALL RIGHTS RESERVED  
2003 FREEMAN MARINE EQUIPMENT, INC.  
SPECIFICATIONS SUBJECT TO CHANGE WITHOUT NOTICE



Scale None

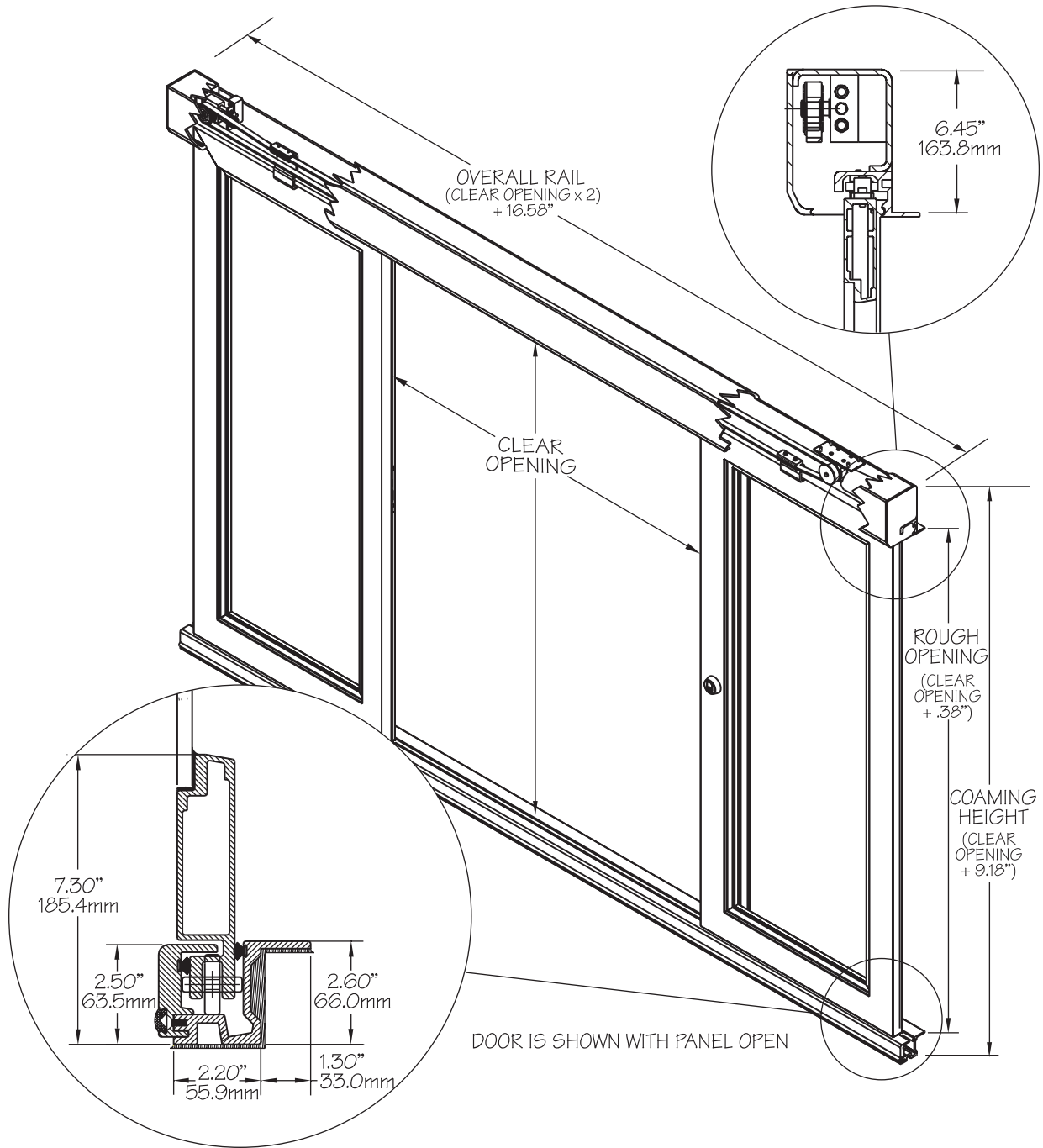
© ALL RIGHTS RESERVED  
2003 FREEMAN MARINE EQUIPMENT, INC.  
SPECIFICATIONS SUBJECT TO CHANGE WITHOUT NOTICE



**LAYOUT  
MODEL 1716**

<b>Scale</b>	None
--------------	------

© ALL RIGHTS RESERVED  
2003 FREEMAN MARINE EQUIPMENT, INC.  
SPECIFICATIONS SUBJECT TO CHANGE WITHOUT NOTICE



LAYOUT  
MODEL 1716

<b>Scale</b>	None
--------------	------

© ALL RIGHTS RESERVED  
2003 FREEMAN MARINE EQUIPMENT, INC.  
SPECIFICATIONS SUBJECT TO CHANGE WITHOUT NOTICE