

When wider access is needed, FREEMAN MARINE French doors perform like two single panel doors that seal to each other. The same high quality tooling and construction techniques used to make the single leaf Heavy Duty door are put to work in the construction of each 1620 French door. Heavy Duty doors feature thick panel skins, extra internal reinforcements, no exposed seams and all welded construction to create a rugged closure in individually dogged versions. Heavy Duty panels feature a lineal brushed finish, a FREEMAN trademark that creates a durable, uniform texture. When specified with optional yacht-quality paint to your color specifications, the 1620 Series welded construction results in a smooth, seamless appearance that features long lasting beauty. Doors offer welded-in windows and can accommodate special glazing. Solidly constructed and fully insulated, Heavy Duty French doors are suitable for the following typical high traffic access installations:

- Salon • Main Deck • Owner's Cabin

**FRENCH, HEAVY-DUTY DESIGN FEATURES**

- Custom Sizing, width and height
- .160"~.250" Thick Aluminum Panel Skins
- Welded Frame and Skin Construction
- Gasket on Door Panel for Long Life and Positive Sealing
- Gasketed Seam Between Panels
- Radius or Mitered Corners
- Bolt-in, Weld-in or Clamp-in Frames
- Added Internal Stiffeners
- Lineal Sanded Finish
Yacht-quality painted finish (avail)
- Stainless Steel Dog Shafts
- Cast Aluminum Handles, powder coat (opt avail)
- Glass Filled Striker Wedges
- Solid Insulation (opt materials avail)
- Stainless Steel Hinges (opt avail)
- Stainless Steel Fasteners
- Welded In Window, glazing and tint (opt avail)



Heavy Duty French doors are custom fabricated to each applications specific needs.



Quick-acting version,
Exterior, Closed,
Bare metal



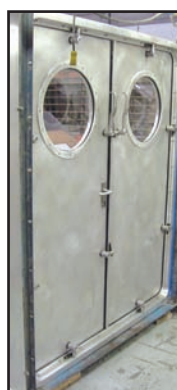
Quick-acting version,
Active panel open,
Unpainted



Mitered corners,
Full glass, Upper half sidelights



Inactive panel open,
Unpainted



Quick-acting version,
Round ports, Interior,
Unpainted



Mitered corners, No dogs,
Full glass, Painted



Radius corners,
Edge of panel dogs, Full glass



Interior view,
Closed, Painted



French doors,
Exterior view, Painted



French doors,
Manual dogs, Painted,
Active panel open



French doors,
Manual dogs, Painted,
Both panels open

Edge-of-panel,
Drop bolt



Lockset
with roses,
Exterior

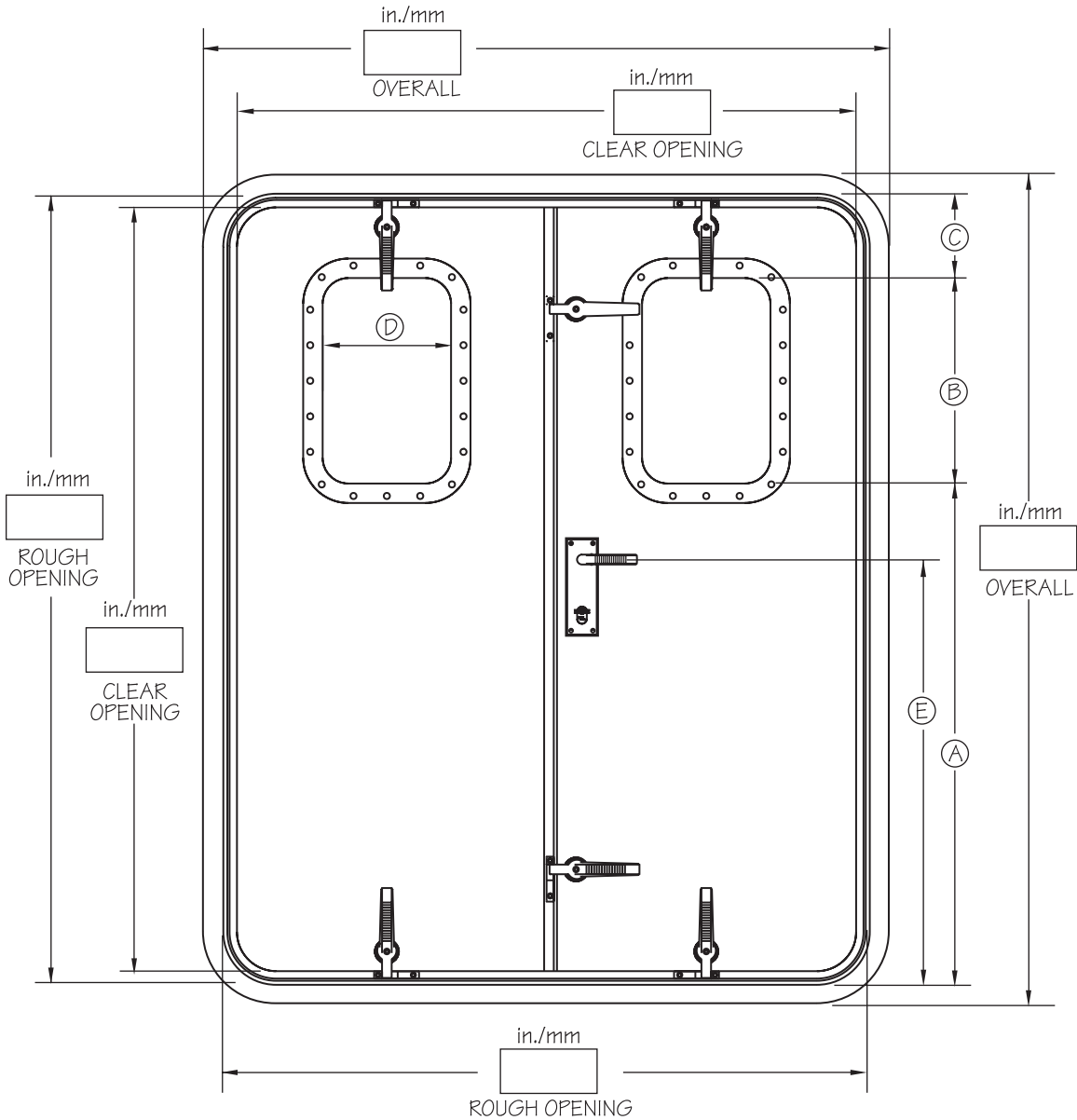


Lockset
with roses,
Interior



Interior view of
windows
and dogs

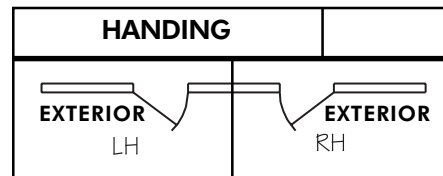




LAYOUT
MODEL 1620

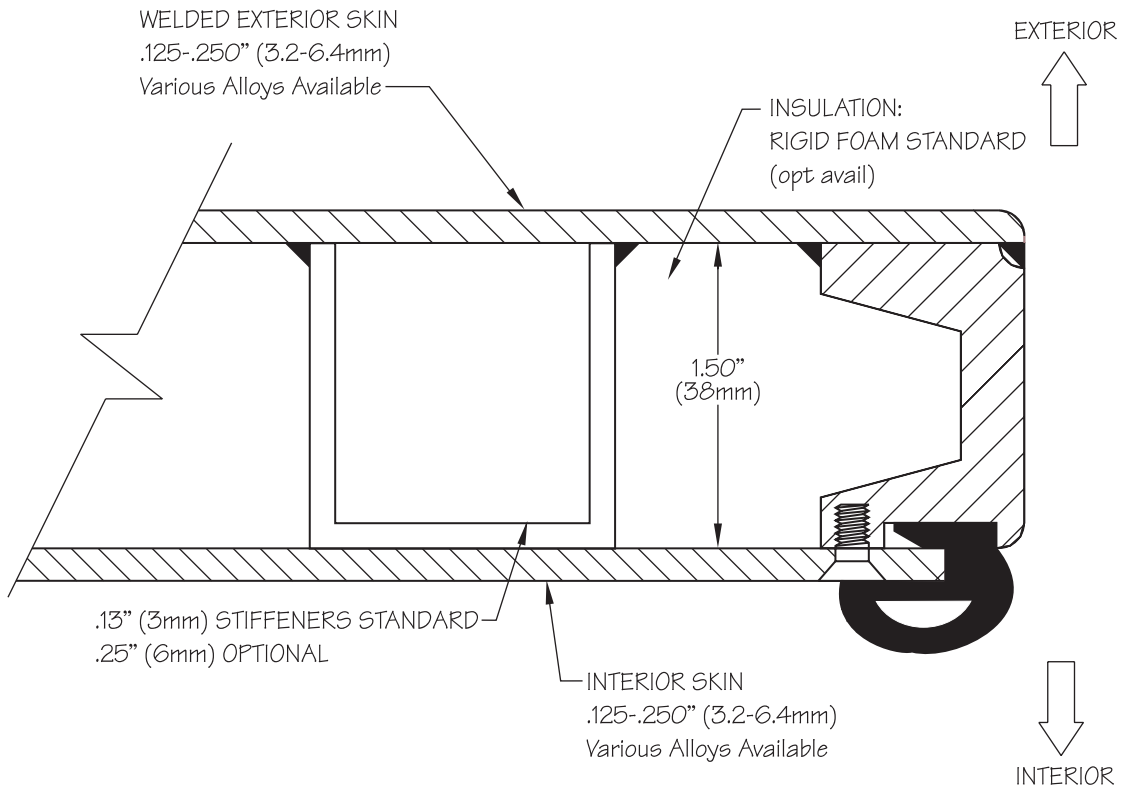
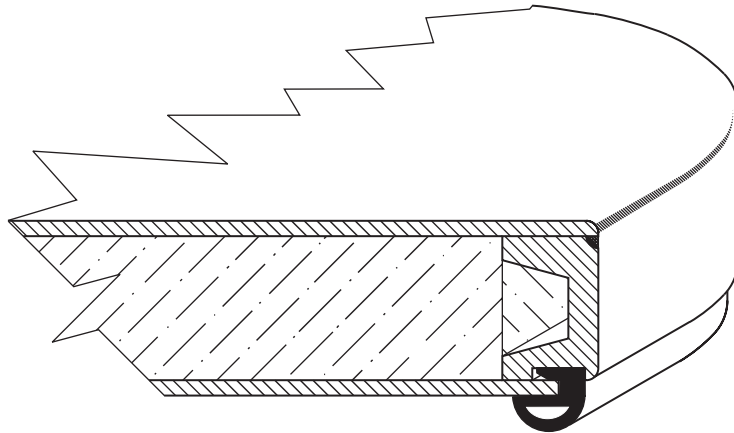
INTERIOR
(See 1120 for Exterior View)

inches		mm		Dimensions For Options
A				Bottom of Clear Glass to Bottom Rough Opening
B				Clear Glass Height
C				Top of Clear Glass to Top of Rough Opening, min 7"
D				Clear Glass Width, min side clearance 6"
E				Handle/Lockset - C/L to Bottom Rough Opening



Scale	None
--------------	------

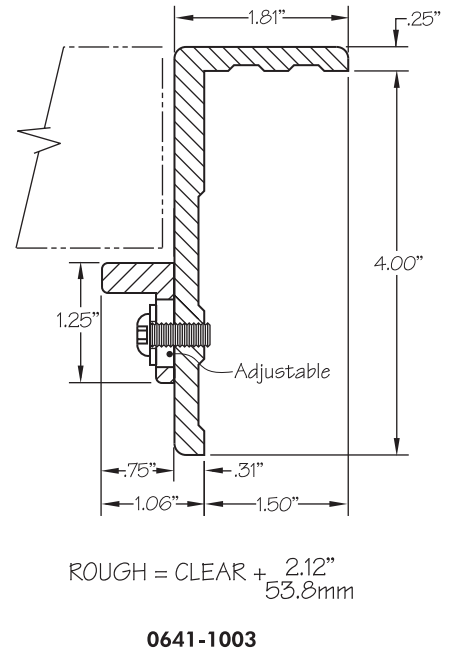
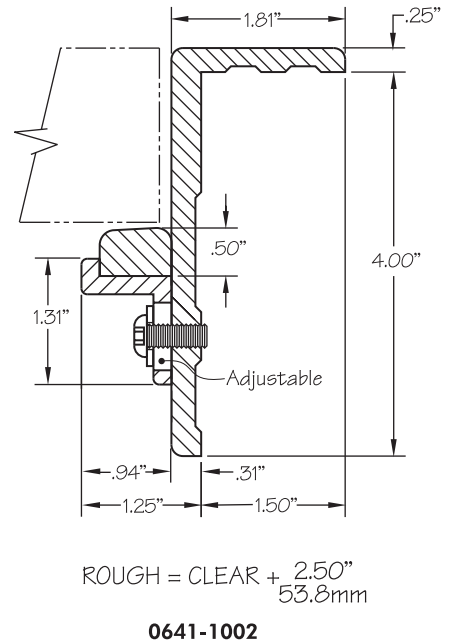
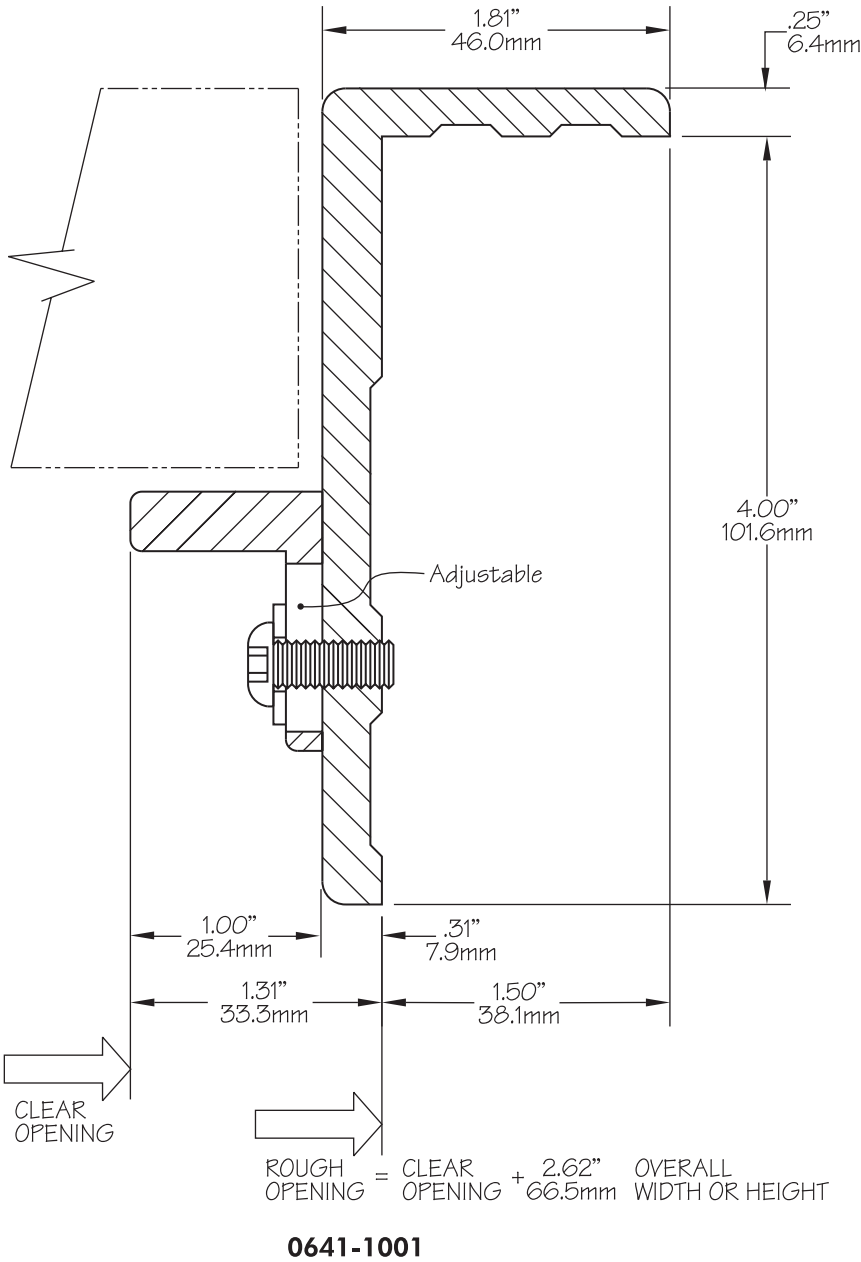
© ALL RIGHTS RESERVED
2003 FREEMAN MARINE EQUIPMENT, INC.
SPECIFICATIONS SUBJECT TO CHANGE WITHOUT NOTICE



PANEL

Sealing Performance	Weather Tight		
Availability	1120 Single	1420 Quick-Acting	1520 Dutch
	1620 French	1720 Sliding Doors	
Degree of watertightness depends on panel and coaming construction, number of dogs, proper installation and sealing adjustment. Closures are individually defined, specified and fabricated for each application.			

© ALL RIGHTS RESERVED
2003 FREEMAN MARINE EQUIPMENT, INC.
SPECIFICATIONS SUBJECT TO CHANGE WITHOUT NOTICE

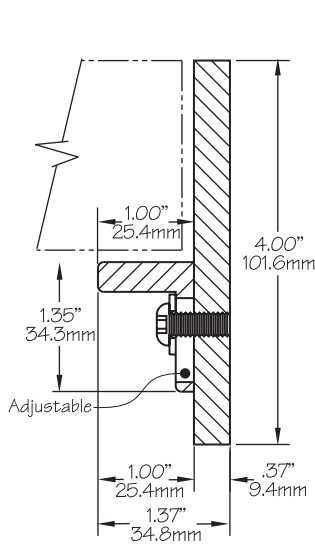


COAMING

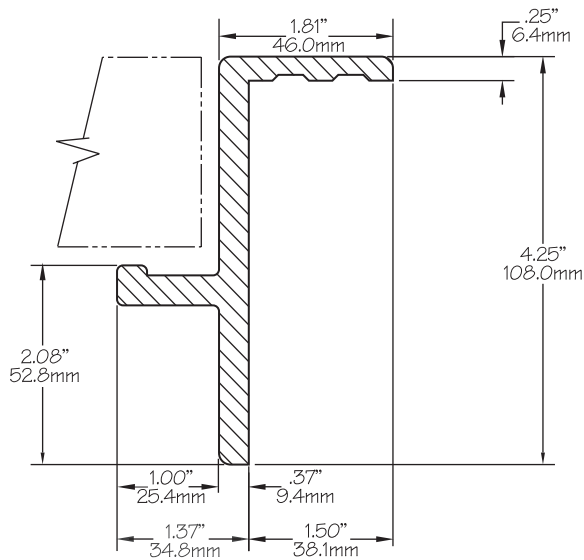
Coaming Assembly No.	0641-1001	0641-1002	0641-1003
Gasket Seal Stop Type	1" Wide Flat (std)	Gasket in Frame (opt)	3/4" Wide Flat (opt)
Coaming Material	Aluminum		
Coaming Configuration	Extrusion w/ Flange		
Stop Type / Material	Adjustable / Aluminum		

Degree of watertightness depends on panel and coaming construction, number of dogs, proper installation and sealing adjustment. Closures are individually defined, specified and fabricated for each application.

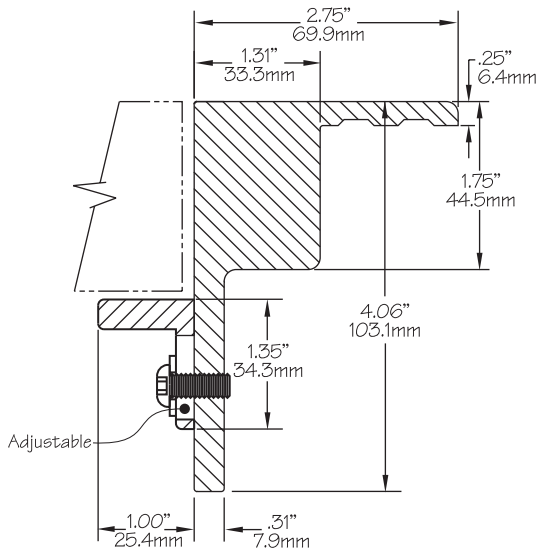
© ALL RIGHTS RESERVED
 2003 FREEMAN MARINE EQUIPMENT, INC.
 SPECIFICATIONS SUBJECT TO CHANGE WITHOUT NOTICE



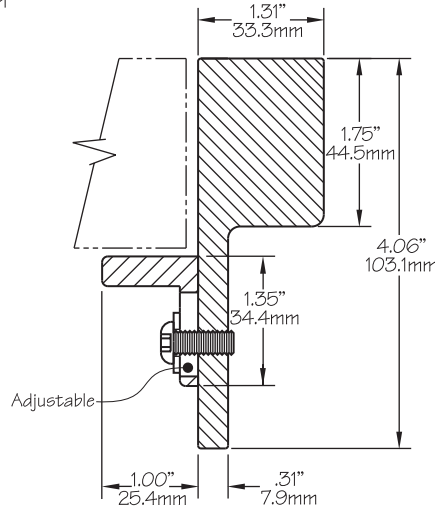
Aluminum - Flat Bar, 4.0" x .38", No Flange
 Stop - Adjustable, 1.0" wide
0641-1004



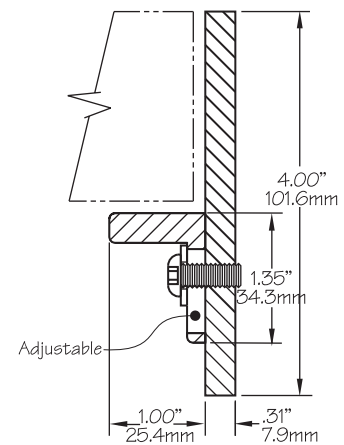
Aluminum - Angle Extrusion, 4.25" x 1.75", Flange
 Stop - Fixed
0641-1007



Aluminum - Custom Extrusion, 4.06" x 1.31" + 1.44",
 w/ Flange & heavy section for Dog Engagement
 Stop - Adjustable, 1.00" wide
0641-1008



Aluminum - Custom Extrusion, 4.06" x 1.31",
 No Flange & heavy section for Dog Engagement
 Stop - Adjustable, 1.00" wide
0641-1011

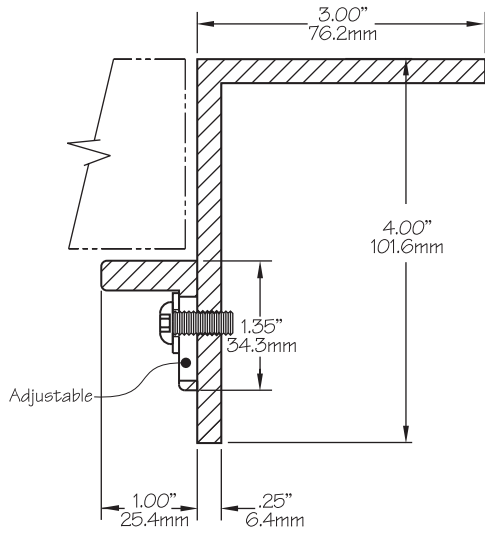


Steel - Flat Bar, 4.00" x .32",
 Stop - Adjustable - 1.00" wide
0641-1028

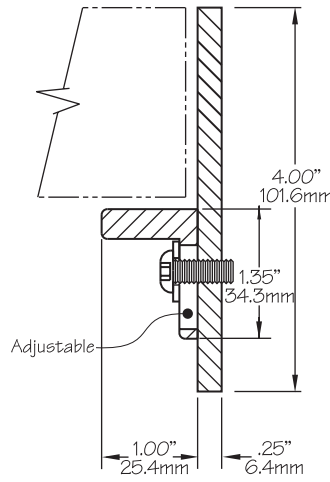
COAMING

Degree of watertightness depends on panel and coaming construction, number of dogs, proper installation and sealing adjustment. Closures are individually defined, specified and fabricated for each application.

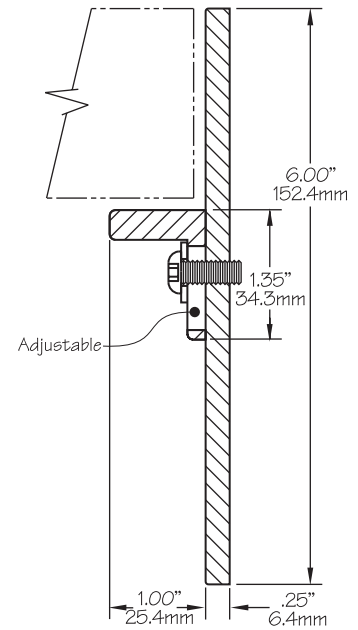
© ALL RIGHTS RESERVED
 2003 FREEMAN MARINE EQUIPMENT, INC.
 SPECIFICATIONS SUBJECT TO CHANGE WITHOUT NOTICE



Steel - Angle, 4.00" x 3.00" x .25",
 Stop - Adjustable, 1.00" wide
0641-1031



Stainless Steel - Flat Bar 4.00" X .25",
 Stop - Adjustable, 1.00" wide
0641-1019

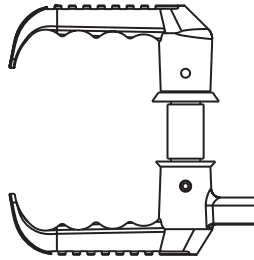
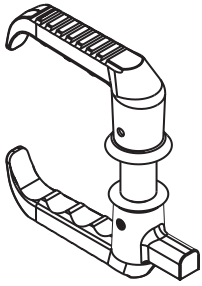


Stainless Steel - Flat Bar 6.00" X .25",
 Stop, Adjustable - 1.00" wide
0641-1022

COAMING

Degree of watertightness depends on panel and coaming construction, number of dogs, proper installation and sealing adjustment. Closures are individually defined, specified and fabricated for each application.

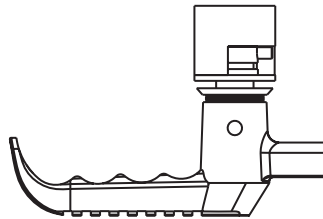
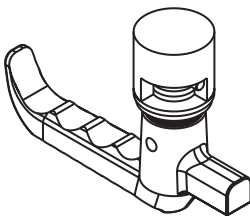
© ALL RIGHTS RESERVED
 2003 FREEMAN MARINE EQUIPMENT, INC.
 SPECIFICATIONS SUBJECT TO CHANGE WITHOUT NOTICE



NO BEARING

Available on Door: 1110
1120
1130
1510
1520
1610
1620

Handle Material: Aluminum
Stainless Steel
Shaft: Stainless Steel

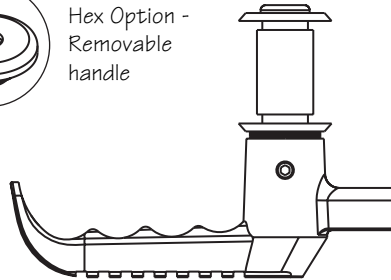
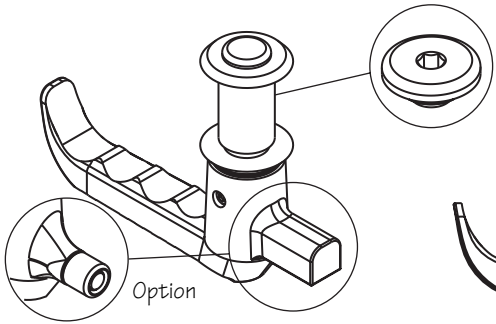


INSIDE DOG ONLY, NO BEARING

no outside dog

Available on Door: 1120
1130
1520
1620

Handle Material: Aluminum
Stainless Steel
Shaft: Stainless Steel

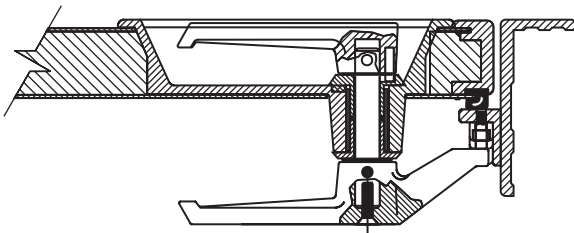


INSIDE DOG ONLY, NO BEARING

no outside dog - outside spindle head visible

Available on Door: 1120
1130
1510
1520
1610
1620

Handle Material: Aluminum
Stainless Steel
Shaft: Stainless Steel



FLUSH, NO BEARING

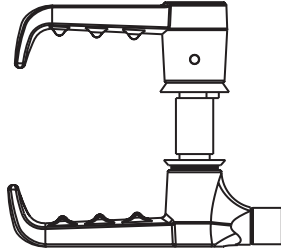
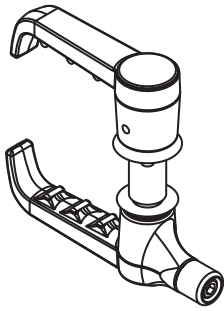
outside & inside

Available on Door: 1110
1120
1130
1510
1520
1610
1620

Handle Material: Aluminum
Shaft: Stainless Steel

Scale None

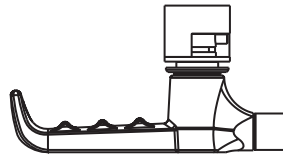
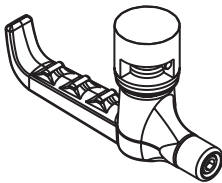
© ALL RIGHTS RESERVED
2003 FREEMAN MARINE EQUIPMENT, INC.
SPECIFICATIONS SUBJECT TO CHANGE WITHOUT NOTICE



Available on Door: 1110
1120
1130
1510
1520
1610
1620

Handle Material: Aluminum
Shaft: Stainless Steel

CAM FOLLOWER

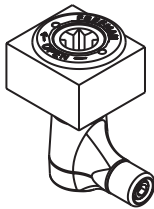


Available on Door: 1120
1130
1520
1620

Handle Material: Aluminum
Shaft: Stainless Steel

INSIDE DOG ONLY, CAM FOLLOWER

no outside dog

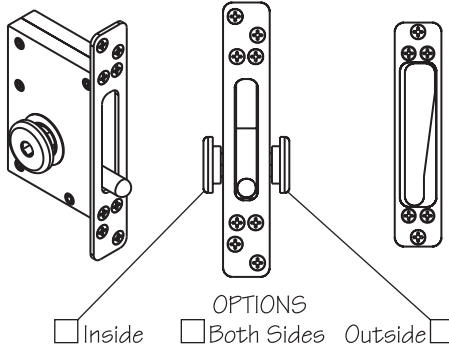
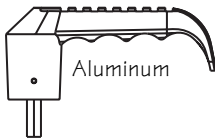


Available on Door: 1120
1130
1520
1620

Handle Material: Aluminum
Stainless Steel
Shaft: Stainless Steel

BI-SQUARE OUTSIDE / DOG INSIDE, CAM FOLLOWER

HANDLES
removable



OPTIONS

Inside Both Sides Outside

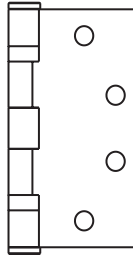
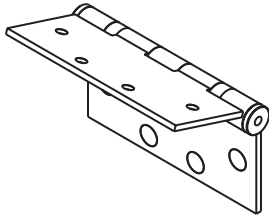
Available on Door: 1120
1520
1620

Concealed Handle Material: Stainless Steel
Handle Material: Aluminum
Stainless Steel
Shaft: Stainless Steel

CONCEALED, EDGE-OF-PANEL

Scale None

© ALL RIGHTS RESERVED
2003 FREEMAN MARINE EQUIPMENT, INC.
SPECIFICATIONS SUBJECT TO CHANGE WITHOUT NOTICE



BUTT HINGE

*adjustable stop coamings
4.5" x 4.5"*

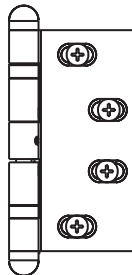
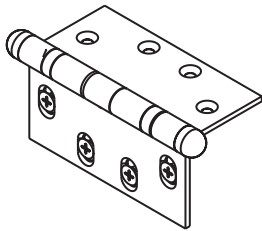
Available on Door: 1110
1120
1420
1510
1520
1610
1620

Finishes Available: Polished
Satin

Material: Stainless Steel

Attachment: Bolt-on

(1X10 series requires butt hinge)



BUTT HINGE, WITH DOME PIN

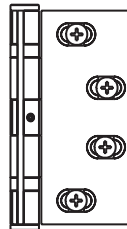
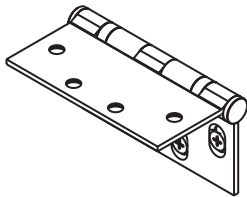
*adjustable stop coamings
4.5" x 4.5"*

Available on Door: 1120
1420
1520
1620

Finishes Available: Polished

Material: Stainless Steel

Attachment: Bolt-on



BUTT HINGE

*fixed stop coamings
4.5" x 4.5"*

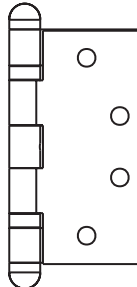
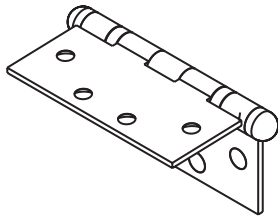
Available on Door: 1110
1120
1420
1510
1520
1610
1620

Finishes Available: Polished
Satin

Material: Stainless Steel

Attachment: Bolt-on

(1X10 series requires butt hinge)



BUTT HINGE, WITH DOME PIN

*fixed stop coamings
4.5" x 4.5"*

Available on Door: 1120
1420
1520
1620

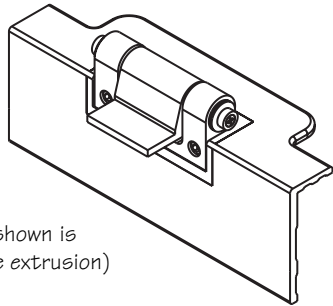
Finishes Available: Polished

Material: Stainless Steel

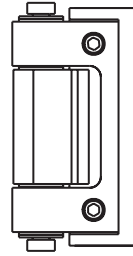
Attachment: Bolt-on

Scale None

© ALL RIGHTS RESERVED
2003 FREEMAN MARINE EQUIPMENT, INC.
SPECIFICATIONS SUBJECT TO CHANGE WITHOUT NOTICE



(Hinge shown is in flange extrusion)



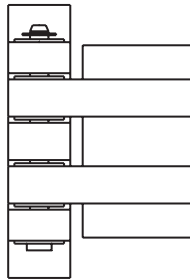
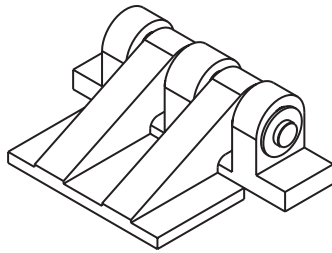
FLUSH HINGE

Available on Door: 1120
1130
1420
1430
1432
1520
1620

Finishes Available: Painted
Vibratory

Material: Aluminum

Attachment: Weld-on



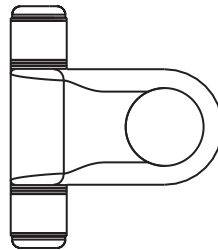
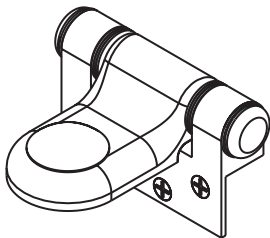
BLADE HINGE

Available on Door: 1120
1130
1420
1430
1432
1520
1620

Finishes Available: Painted
Vibratory

Material: Aluminum

Attachment: Weld-on
Bolt-to-coaming



EURO HINGE

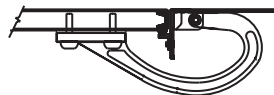
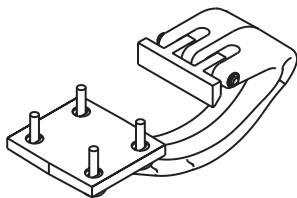
Available on Door: 1120
1130
1420
1430
1432
1520
1620

Finishes Available: Painted
Vibratory

Material: Aluminum

Attachment: Bolt-on

NOTE: Yoke hinges remain in clear opening space even though door panel swings completely out of opening. Maximum opening 97°.



YOKE HINGE (Concealed)

universal, with rubber bumpers

Available on Door: 1120
1130
1420
1430
1432
1620

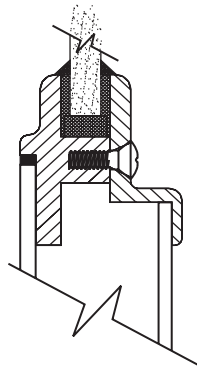
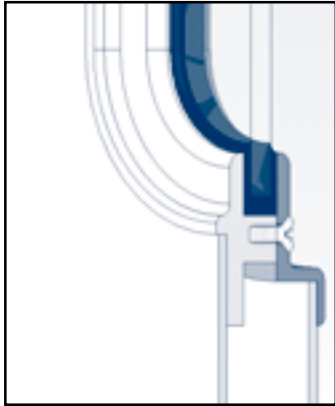
Finishes Available: Polished
Painted
Vibratory

Material: Aluminum

Attachment: Bolt-on

Scale None

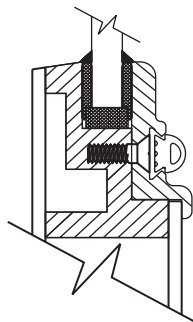
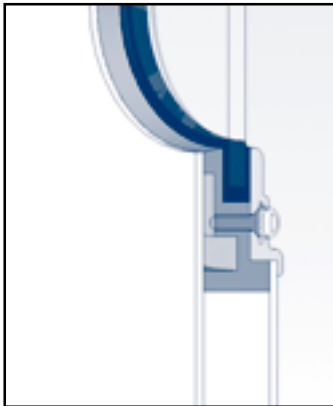
© ALL RIGHTS RESERVED
2003 FREEMAN MARINE EQUIPMENT, INC.
SPECIFICATIONS SUBJECT TO CHANGE WITHOUT NOTICE



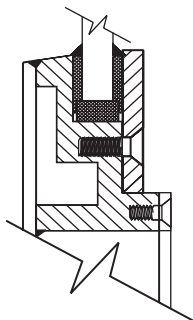
← **EXTERIOR**

5190-1002
Fabricated Window

INTERIOR →



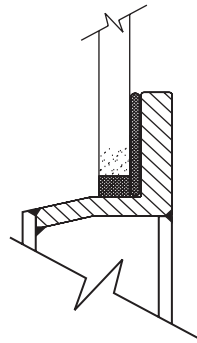
5190-1003
Fabricated Window



5190-1004
Fabricated Window

Corners	Radius or mitered available
Glass	Thickness, tint, type – specified separately

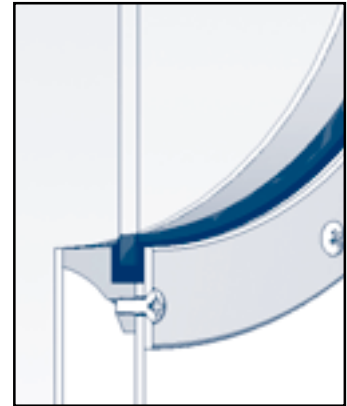
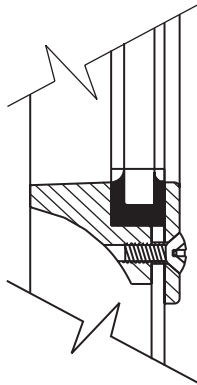
© ALL RIGHTS RESERVED
2003 FREEMAN MARINE EQUIPMENT, INC.
SPECIFICATIONS SUBJECT TO CHANGE WITHOUT NOTICE



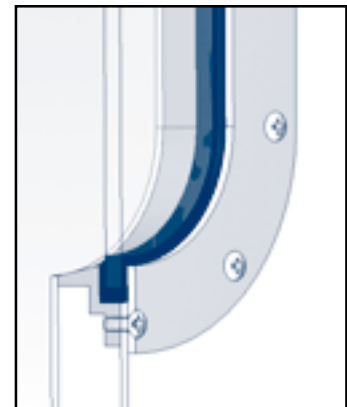
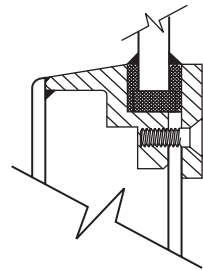
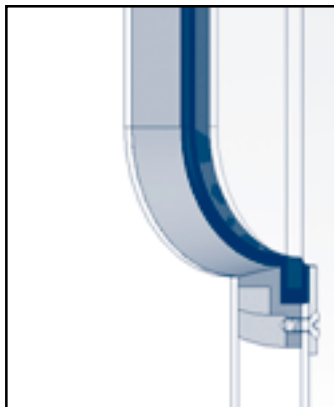
← **EXTERIOR**

5190-1005
Fabricated Window

INTERIOR →



5190-1007
Window, Fixed Light, Round



5190-1010
Fabricated Window

Corners	Radius or mitered available
Glass	Thickness, tint, type – specified separately

© ALL RIGHTS RESERVED
2003 FREEMAN MARINE EQUIPMENT, INC.
SPECIFICATIONS SUBJECT TO CHANGE WITHOUT NOTICE