

When wider access is needed, FREEMAN MARINE French doors perform like two single panel doors that seal to each other. The same high quality tooling and construction techniques used to make the single leaf Standard Duty door are put to work in the construction of each 1610 French door. Double-skin panel construction offers simplicity yet broad flexibility for configuring doors to specific needs. Doors have .080" mill finished aluminum skins captured in an extruded aluminum panel framework, clamp-grip style windows with 3/16" clear glass, and marine grade lever handle locksets. The outer skin is trapped by the door panel extrusion, and the inner skin is riveted. Solidly constructed and fully insulated, Standard Duty French doors are suitable for the following typical high traffic access installations:

- Salon • Main Deck • Owner's Cabin



FRENCH, STANDARD DUTY DESIGN FEATURES

- Custom Sizing, width and height
- .080" Aluminum Panel Skins, outside and inside
- Welded Panel Frame for Strength
- Outer Skin Captured in Frame Extrusion, Riveted Inner Skin
- Gasket on Door Panel for Long Life and Positive Sealing
- Gasketed Seam Between Panels
- Radius or Mitered Corners
- Bolt-in, Weld-in or Clamp-in Frames
- Welded Internal Doublers at All Seams
- Mill Finish Aluminum Door Skins
- Cast Aluminum Dogging Handles, powder coated finish
- Stainless Steel Dog Shafts
- Glass Filled Striker Wedges
- Solid Polyurethane Insulation
- Stainless Steel Hinges, butt style only
- Stainless Steel Fasteners
- Clamp-Grip Window, 3/16" or 1/4" Clear Tempered Glass, (opt avail)

Where suitable, doors can be designated to include additional windows and/or dogs or omit windows and/or dogs.

Standard Duty French doors are custom fabricated to each applications specific needs.



Clamp grip windows,
Radius corners,
Aluminum frame,
Left panel active



Clamp grip window,
Radius corners,
Aluminum frame,
Active panel open



Clamp grip window,
Mitered corners,
Steel weld-in frame

Gasket on panel,
Adjustable
sealing stop



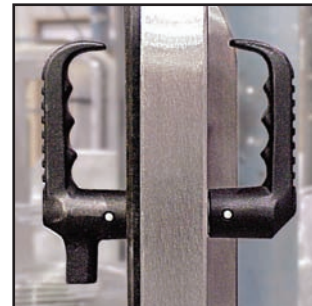
Butt hinge
with Delrin®
bearings

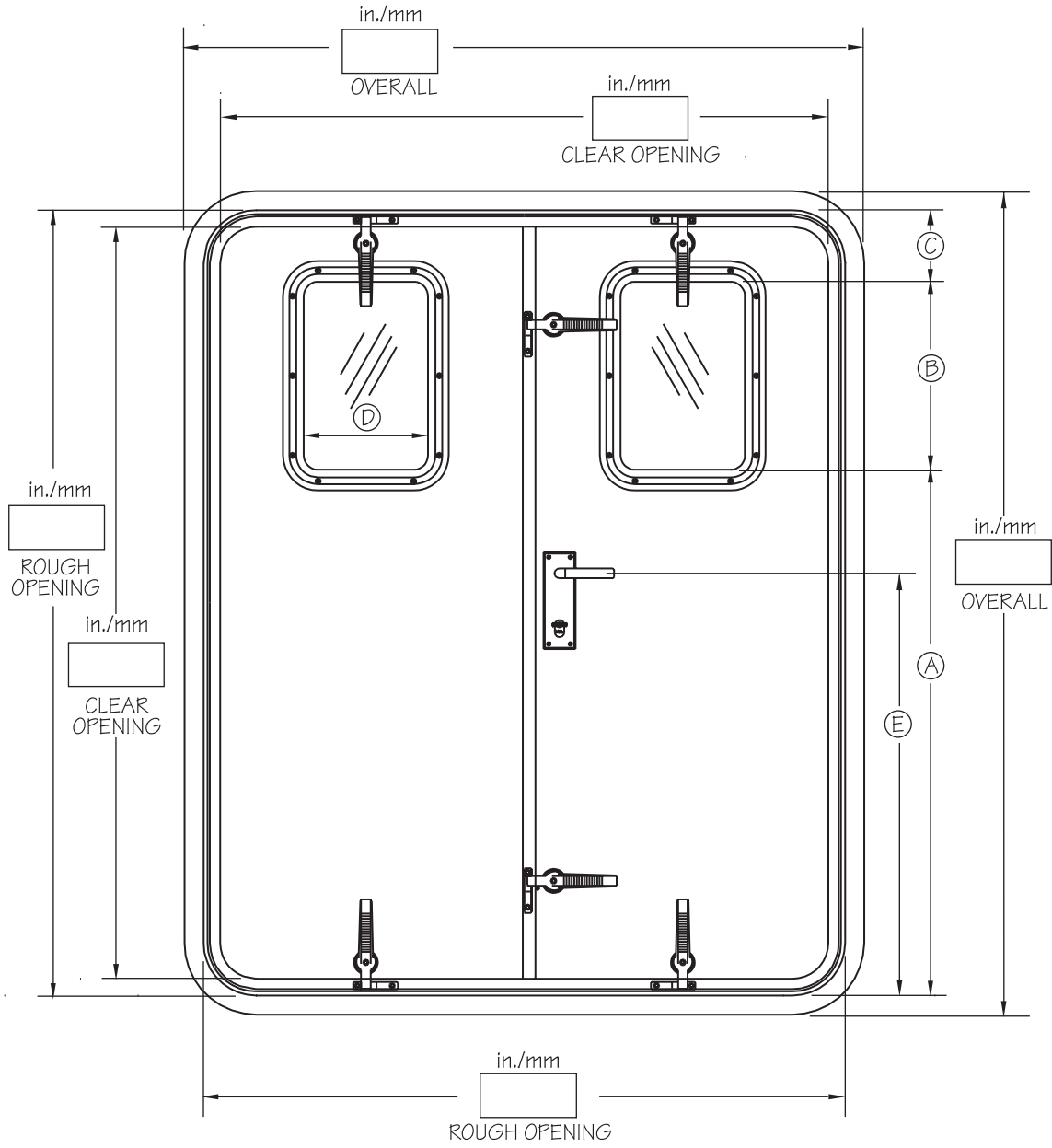


Dog handle,
Inside with tang



Inside dog, left;
Outside dog, right

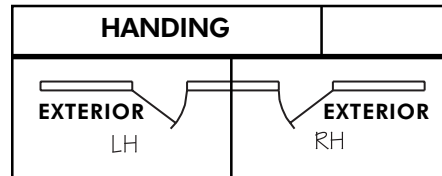




INTERIOR
(See 1110 for Exterior View)

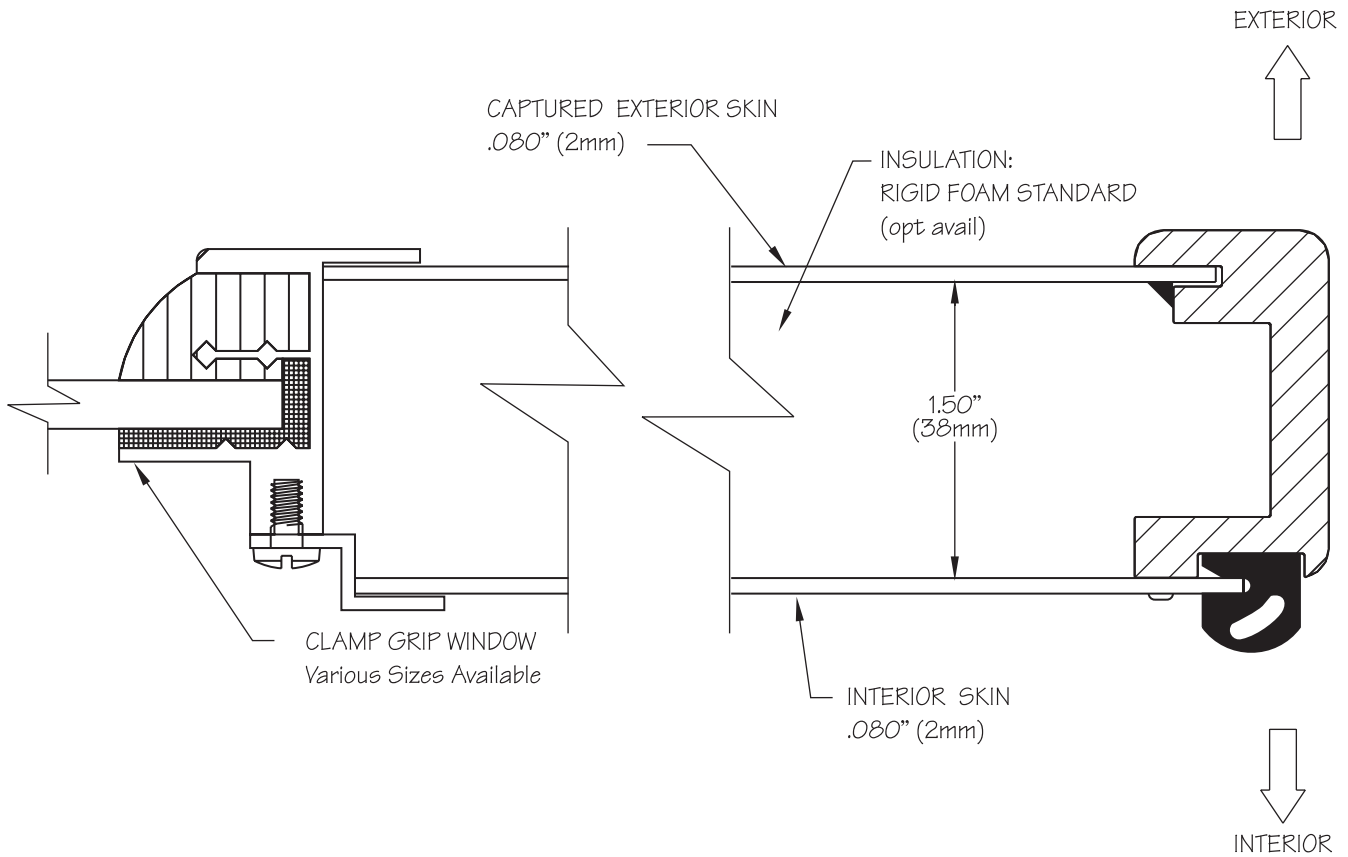
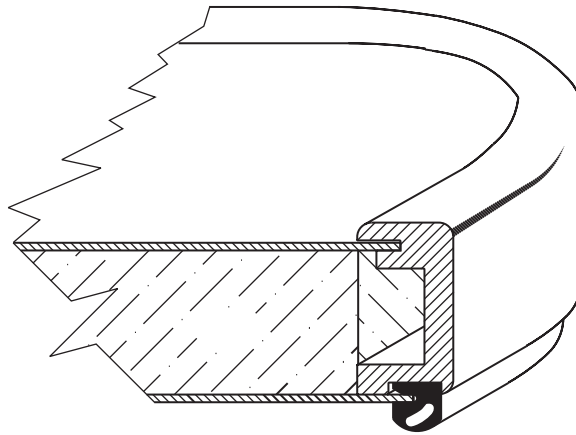
LAYOUT
MODEL 1610

inches		mm		Dimensions For Options
A				Bottom of Clear Glass to Bottom Rough Opening
B				Clear Glass Height
C				Top of Clear Glass to Top of Rough Opening, min 7"
D				Clear Glass Width, min side clearance 6"
E				Handle/Lockset - C/L to Bottom Rough Opening



Scale	None
--------------	------

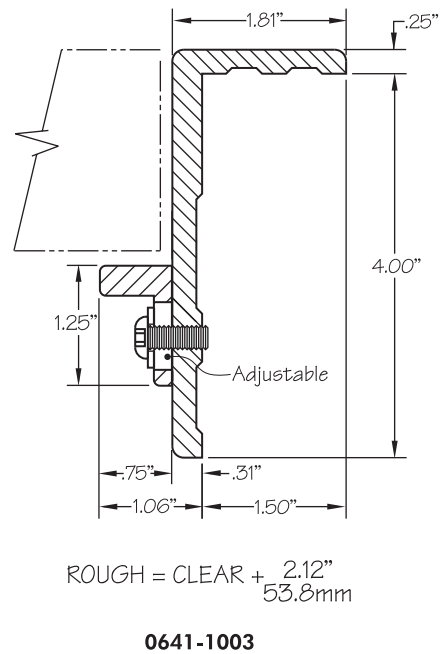
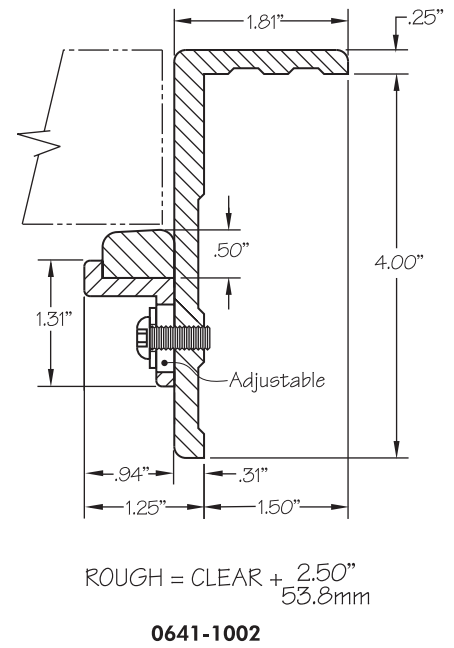
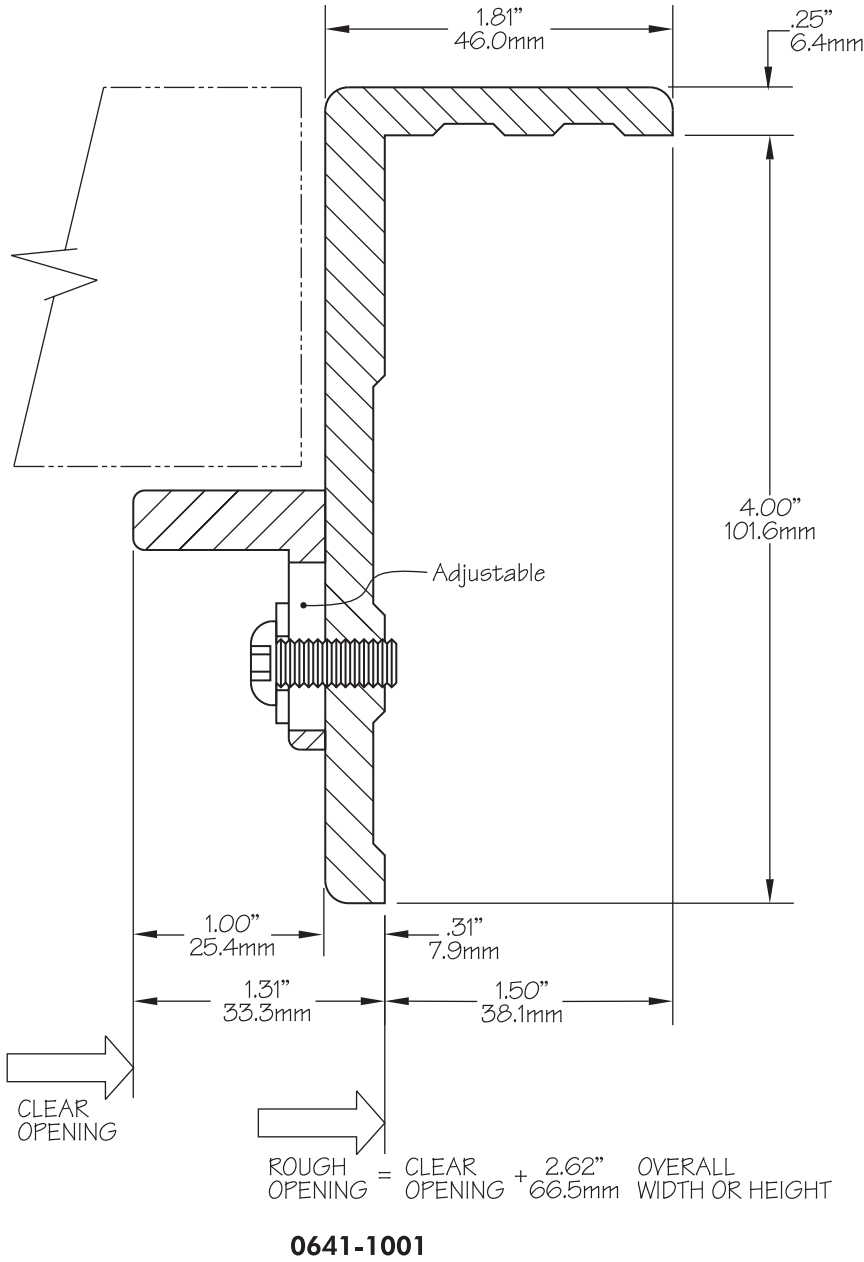
© ALL RIGHTS RESERVED
2003 FREEMAN MARINE EQUIPMENT, INC.
SPECIFICATIONS SUBJECT TO CHANGE WITHOUT NOTICE



PANEL

Sealing Performance	Weather Tight		
Availability	1110 Single	1510 Dutch	1610 French
Degree of watertightness depends on panel and coaming construction, number of dogs, proper installation and sealing adjustment. Closures are individually defined, specified and fabricated for each application.			

© ALL RIGHTS RESERVED
2003 FREEMAN MARINE EQUIPMENT, INC.
SPECIFICATIONS SUBJECT TO CHANGE WITHOUT NOTICE

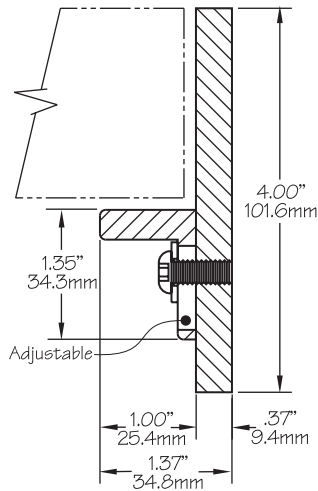


COAMING

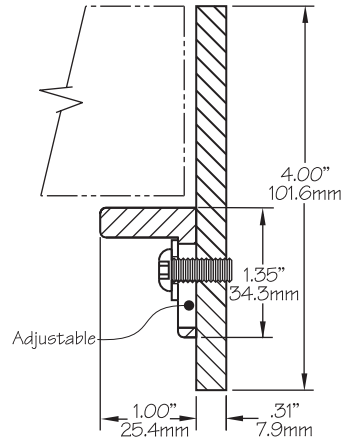
Coaming Assembly No.	0641-1001	0641-1002	0641-1003
Gasket Seal Stop Type	1" Wide Flat (std)	Gasket in Coaming (opt)	3/4" Wide Flat (opt)
Coaming Material	Aluminum		
Coaming Configuration	Extrusion w/ Flange		
Corner Radius - Rough	4.1" / 104mm		
Stop Type / Material	Adjustable / Aluminum		

Degree of watertightness depends on panel and coaming construction, number of dogs, proper installation and sealing adjustment. Closures are individually defined, specified and fabricated for each application.

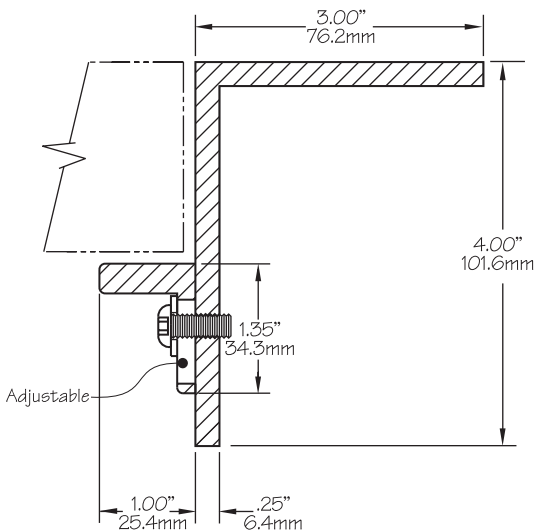
© ALL RIGHTS RESERVED
2003 FREEMAN MARINE EQUIPMENT, INC.
SPECIFICATIONS SUBJECT TO CHANGE WITHOUT NOTICE



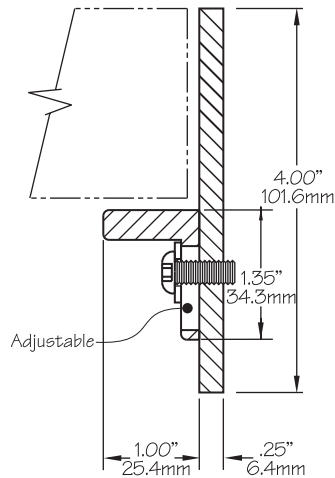
Aluminum - Flat Bar, 4.00" x .37", No Flange
 Stop - Adjustable, 1.00" wide
0641-1004



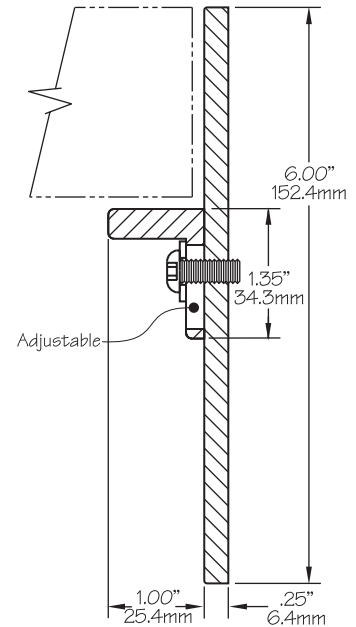
Steel - Flat Bar, 4.00" x .31", No Flange
 Stop - Adjustable, 1.00" wide
0641-1028



Steel - Angle, 4.00" x 3.00" x .25",
 Stop - Adjustable, 1.00" wide
0641-1031



Stainless Steel - Flat Bar 4.00" X .25",
 Stop - Adjustable, 1.00" wide - Aluminum
0641-1019

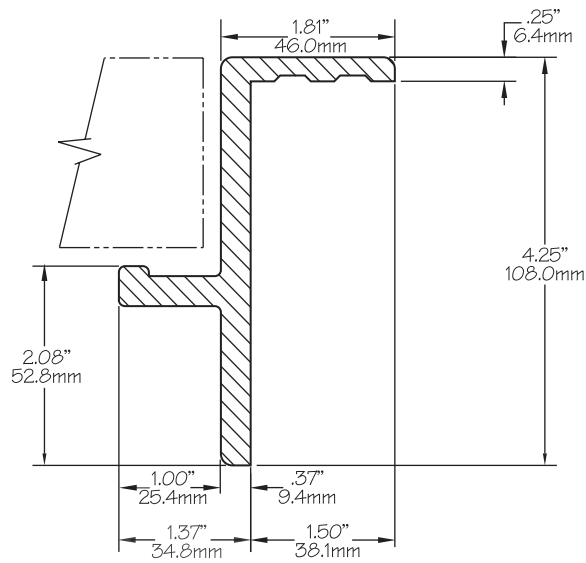


Stainless Steel - Flat Bar 6.00" X .25",
 Stop, Adjustable - 1.00" wide - Aluminum
0641-1022

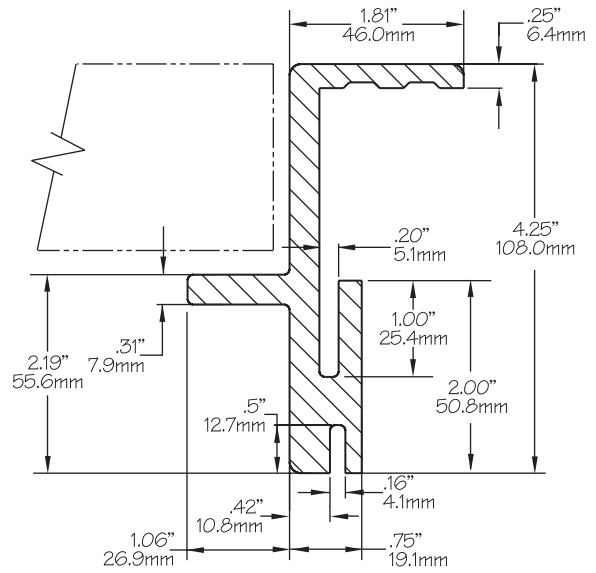
COAMING

Degree of watertightness depends on panel and coaming construction, number of dogs, proper installation and sealing adjustment. Closures are individually defined, specified and fabricated for each application.

© ALL RIGHTS RESERVED
 2003 FREEMAN MARINE EQUIPMENT, INC.
 SPECIFICATIONS SUBJECT TO CHANGE WITHOUT NOTICE



Aluminum - Angle Extrusion, 4.25" x 1.75", Flange
 Stop - Fixed
0641-1007

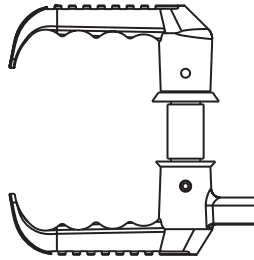
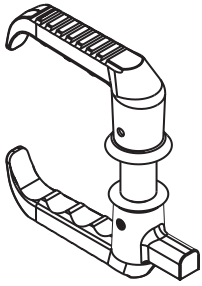


Aluminum - Angle Extrusion, 4.25" x 1.75", Flange
 Stop - Fixed
0641-1037

COAMING

Degree of watertightness depends on panel and coaming construction, number of dogs, proper installation and sealing adjustment. Closures are individually defined, specified and fabricated for each application.

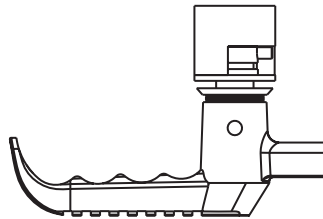
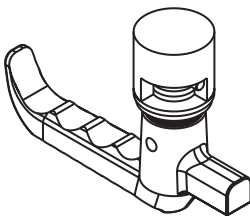
© ALL RIGHTS RESERVED
 2003 FREEMAN MARINE EQUIPMENT, INC.
 SPECIFICATIONS SUBJECT TO CHANGE WITHOUT NOTICE



NO BEARING

Available on Door: 1110
1120
1130
1510
1520
1610
1620

Handle Material: Aluminum
Stainless Steel
Shaft: Stainless Steel

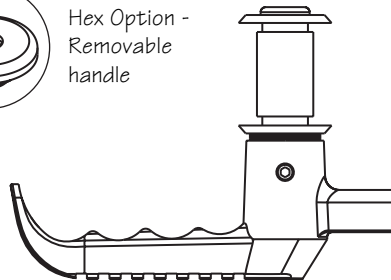
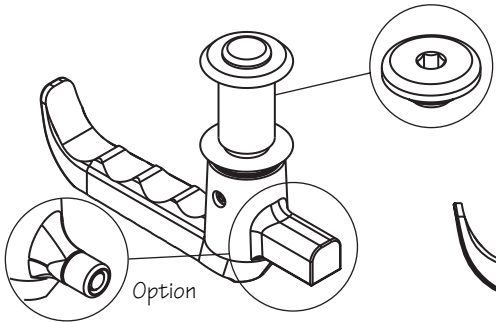


INSIDE DOG ONLY, NO BEARING

no outside dog

Available on Door: 1120
1130
1520
1620

Handle Material: Aluminum
Stainless Steel
Shaft: Stainless Steel

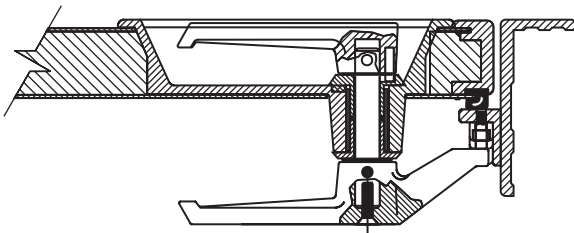


INSIDE DOG ONLY, NO BEARING

no outside dog - outside spindle head visible

Available on Door: 1120
1130
1510
1520
1610
1620

Handle Material: Aluminum
Stainless Steel
Shaft: Stainless Steel



FLUSH, NO BEARING

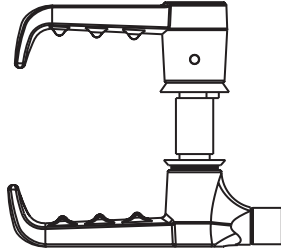
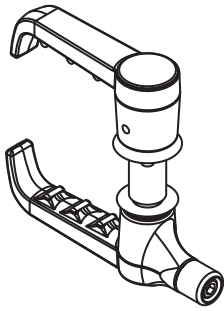
outside & inside

Available on Door: 1110
1120
1130
1510
1520
1610
1620

Handle Material: Aluminum
Shaft: Stainless Steel

Scale None

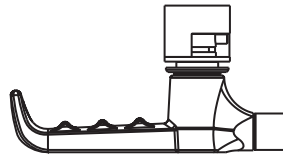
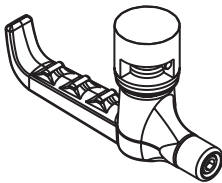
© ALL RIGHTS RESERVED
2003 FREEMAN MARINE EQUIPMENT, INC.
SPECIFICATIONS SUBJECT TO CHANGE WITHOUT NOTICE



Available on Door: 1110
1120
1130
1510
1520
1610
1620

Handle Material: Aluminum
Shaft: Stainless Steel

CAM FOLLOWER

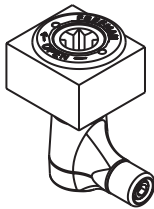


Available on Door: 1120
1130
1520
1620

Handle Material: Aluminum
Shaft: Stainless Steel

INSIDE DOG ONLY, CAM FOLLOWER

no outside dog

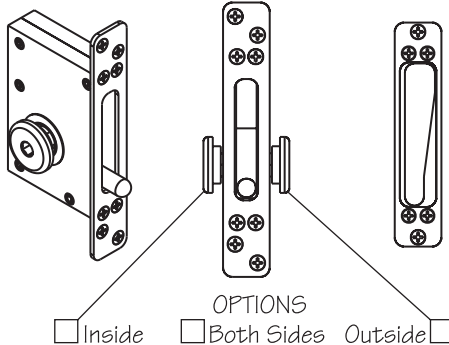
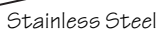
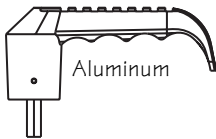


Available on Door: 1120
1130
1520
1620

Handle Material: Aluminum
Stainless Steel
Shaft: Stainless Steel

BI-SQUARE OUTSIDE / DOG INSIDE, CAM FOLLOWER

HANDLES
removable



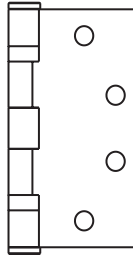
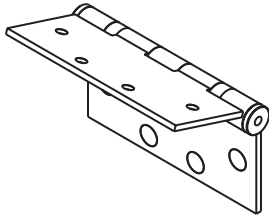
Available on Door: 1120
1520
1620

Concealed Handle Material: Stainless Steel
Handle Material: Aluminum
Stainless Steel
Shaft: Stainless Steel

CONCEALED, EDGE-OF-PANEL

Scale None

© ALL RIGHTS RESERVED
2003 FREEMAN MARINE EQUIPMENT, INC.
SPECIFICATIONS SUBJECT TO CHANGE WITHOUT NOTICE



BUTT HINGE

*adjustable stop coamings
4.5" x 4.5"*

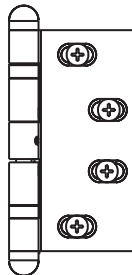
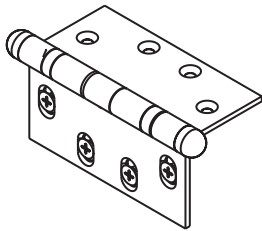
Available on Door: 1110
1120
1420
1510
1520
1610
1620

Finishes Available: Polished
Satin

Material: Stainless Steel

Attachment: Bolt-on

(1X10 series requires butt hinge)



BUTT HINGE, WITH DOME PIN

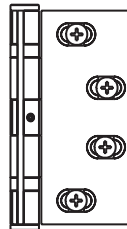
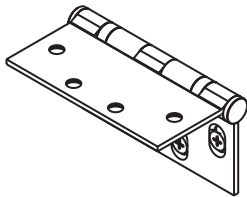
*adjustable stop coamings
4.5" x 4.5"*

Available on Door: 1120
1420
1520
1620

Finishes Available: Polished

Material: Stainless Steel

Attachment: Bolt-on



BUTT HINGE

*fixed stop coamings
4.5" x 4.5"*

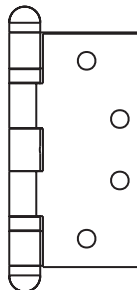
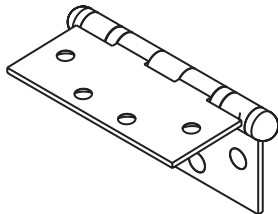
Available on Door: 1110
1120
1420
1510
1520
1610
1620

Finishes Available: Polished
Satin

Material: Stainless Steel

Attachment: Bolt-on

(1X10 series requires butt hinge)



BUTT HINGE, WITH DOME PIN

*fixed stop coamings
4.5" x 4.5"*

Available on Door: 1120
1420
1520
1620

Finishes Available: Polished

Material: Stainless Steel

Attachment: Bolt-on

Scale None

© ALL RIGHTS RESERVED
2003 FREEMAN MARINE EQUIPMENT, INC.
SPECIFICATIONS SUBJECT TO CHANGE WITHOUT NOTICE