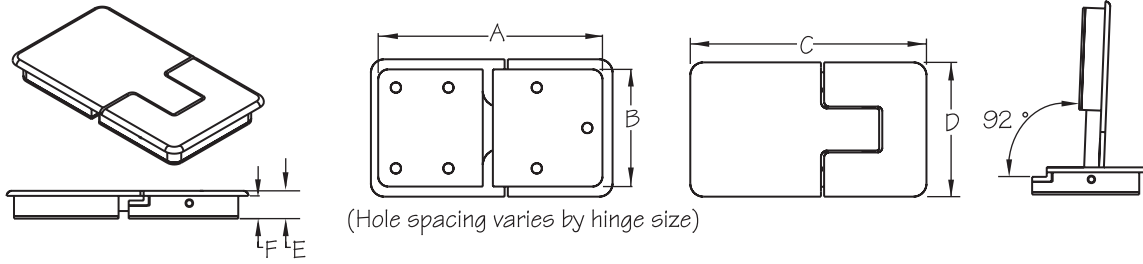
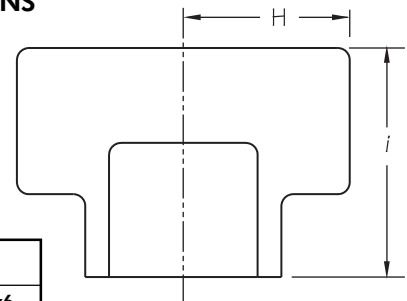
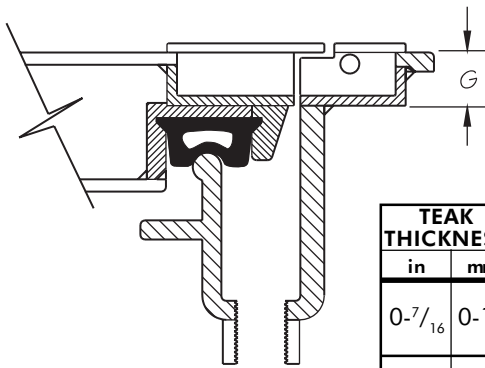


SURFACE HINGE DIMENSIONS



		HINGE BLOCK				HINGE COVER							
Size	Part No.	in	mm	in	mm	in	mm	in	mm	in	mm	in	mm
2x4	0461-2071	4.04	102	1.93	48	4.41	112	2.33	58	0.65	18	0.50	13
3x6	0461-2069	5.29	134	2.65	67	5.84	148	3.20	81	0.75	19	0.63	16
4x8	0461-2089	7.41	188	3.72	94	8.18	208	4.49	114	1.00	25	0.88	22

FLUSH SURFACE HINGE - POCKET DIMENSIONS



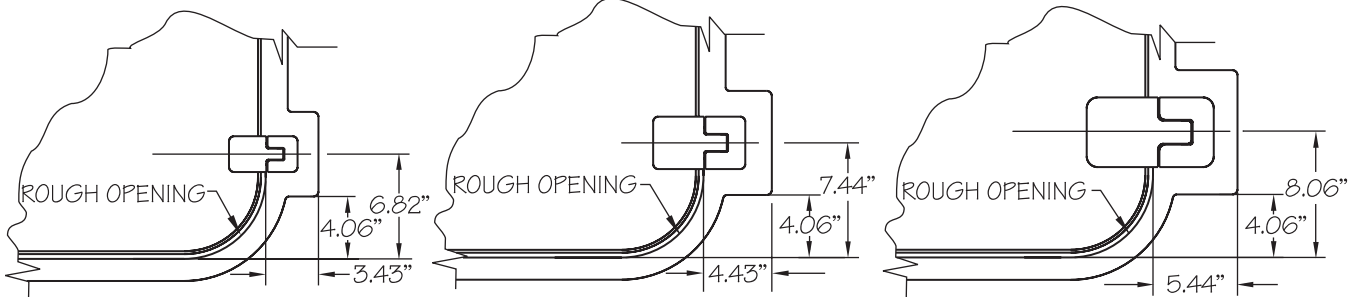
TEAK THICKNESS		G		H		i		
in	mm	2x4	3x6	2x4	3x6	2x4	3x6	
0-7/16	0-11	1.00	1.19	2.70	3.50	3.50	4.80	in.
		25.4	30.2	68.6	88.9	88.9	121.9	mm
1/2 +	12	0.51	0.51	2.70	3.50	3.50	4.80	in.
		13.0	13.0	68.6	88.9	88.9	121.9	mm

ROUGH CUTOUT DIMENSIONS FOR HINGE INSTALLATION

2 x 4 DECK HINGE
0461-2071

3 x 6 DECK HINGE
0461-2069

4 x 8 DECK HINGE
0461-2089



Scale None

© ALL RIGHTS RESERVED
2003 FREEMAN MARINE EQUIPMENT, INC.
SPECIFICATIONS SUBJECT TO CHANGE WITHOUT NOTICE