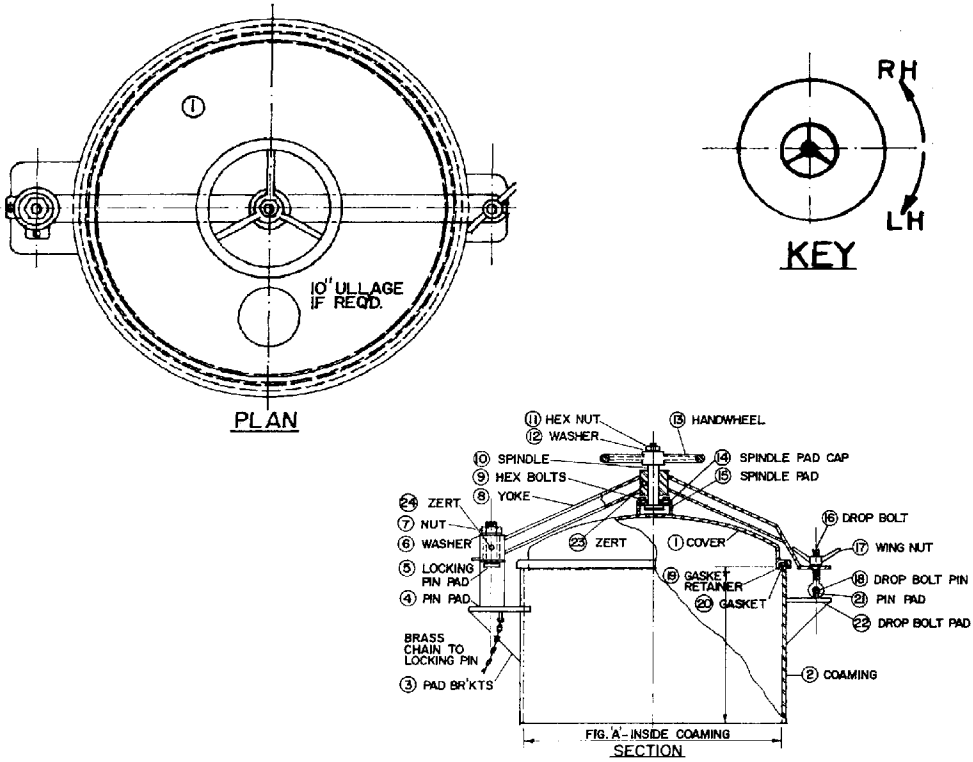


Drawing No. 210



**Freeman Marine Equipment, Inc.**

28336 Hunter Creek Rd., Gold Beach, OR 97444 USA

1-888-FREEMAN (373-3626) | 541-247-7078 | fax 541-247-2114 | [www.freemanmarine.com](http://www.freemanmarine.com) | [email](mailto:email)