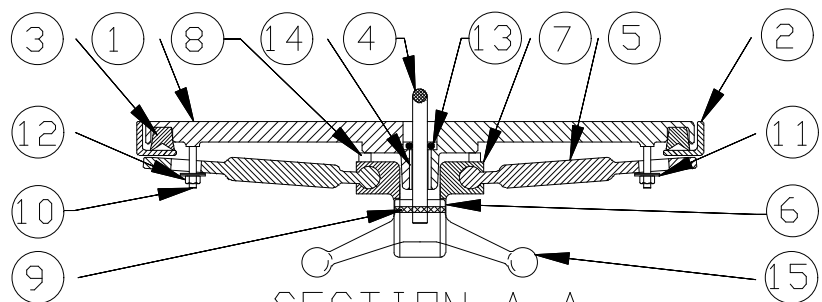
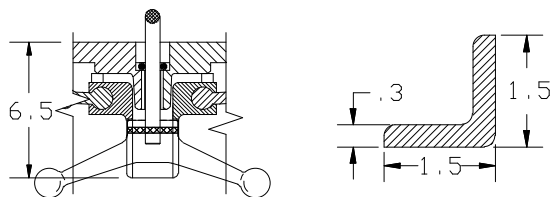


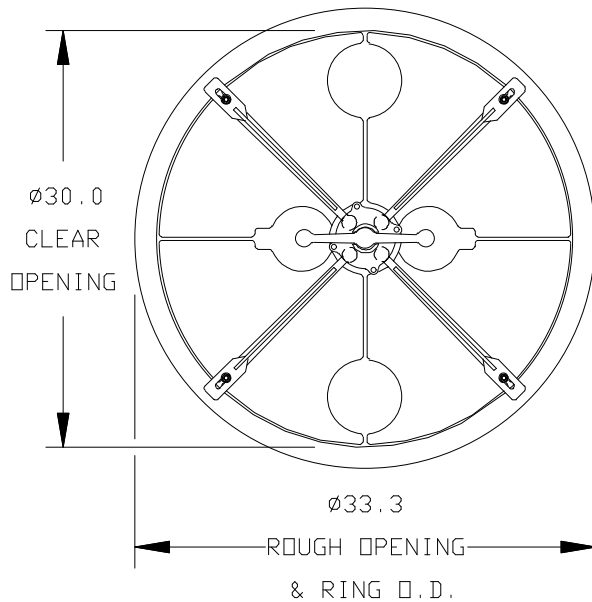
TOP VIEW



SECTION A-A  
HANDLE SHOWN IN UP POSITION



DEPTH DETAIL RING DETAIL



BOTTOM VIEW

10. FOR SPECIFIC INFORMATION CONTACT SALES.
9. COMPLETE ASSEMBLY WEIGHT W/DECK RING, 87LBS/39.5K.
8. DOGGING PRESSURE FULLY ADJUSTABLE, TIGHTEST SEAL IN THE WORLD.
7. HANDLE POSITION TOPSIDE INDICATES WHETHER DOGGING MECHANISM IS IN OPEN OR CLOSED POSITION.
6. STAINLESS STEEL MECHANISM SHOWN.
5. FLUSH, WATERTIGHT CONSTRUCTION.
4. INTEGRAL TOPSIDE "T" HANDLE STANDARD, OTHER TOPSIDE ACTUATION AVAILABLE.
3. MILD STEEL COAMING, WELD IN DECK APPLICATIONS.
2. QUICK-ACTING, MECHANISM ENGAGES OR DISENGAGES IN QUARTER-TURN OF CENTER SPINDLE.
1. 30.0"/762mm DIAMETER CLEAR OPENING.

NOTES:

PARTS LIST			
FIND NO.	PART NUMBER	DESCRIPTION	MATERIAL
1		HATCH (COVER PLATE)	AL. ALY.
2		FRAME (DECK RING)	MILD STEEL
3		GASKET	NEOPRENE
4		TOPSIDE "T" HANDLE	CRES
5		LOCKING ARM (DOG)	CRES
6		ACTIVATOR	CRES
7		FOUR HOLE HUB	CRES
8		CAM BUTTON	DELRIN
9		KNURLED PIN (.25X2.25)	CRES
10		STUD (.375-16)	CRES
11		FLAT WASHER (.375)	CRES
12		LOCK NUT (.375-16 HEX)	CRES
13		OIL RING (TEFLON COATED)	DUNA RUBBER
14		FLUTED BUSHING	ACETAL/CRES
15		INNER HANDLE (OPTIONAL)	AL. ALY.

<b>FREEMAN</b> <b>MARINE EQUIPMENT INC.</b> P.O. BOX F-28336 HUNTER CREEK ROAD GOLD BEACH, OREGON 97444 U.S.A. PHONE: 541-247-7078 FAX: 541-247-2114	TITLE: 30" ROUND ALUM. CAST HATCH, MILD STEEL DECK RING W/INTEGRAL TOPSIDE HANDLE	FSCM. NO. 64747 DRAWING NUMBER 2415-0007 SCALE: NONE SHEET 1 OF 1
	DWN BY: M.W.F. 05/15/98 4:43 PM CAD FILENAME: 2400\2415\0007-01.DWG	DATE: 19AUG96 © ALL RIGHTS RESERVED, 1996 FREEMAN MARINE EQUIPMENT, INC. SPECIFICATIONS SUBJECT TO CHANGE WITHOUT NOTICE